

TABLE OF CONTENTS

PAGE 1

NOTICES

PAGE 2

WHAT'S IN THE BOX

PAGE 3-6

ASSEMBLY INSTRUCTION



Need Help? We're here for you! Contact our support team:

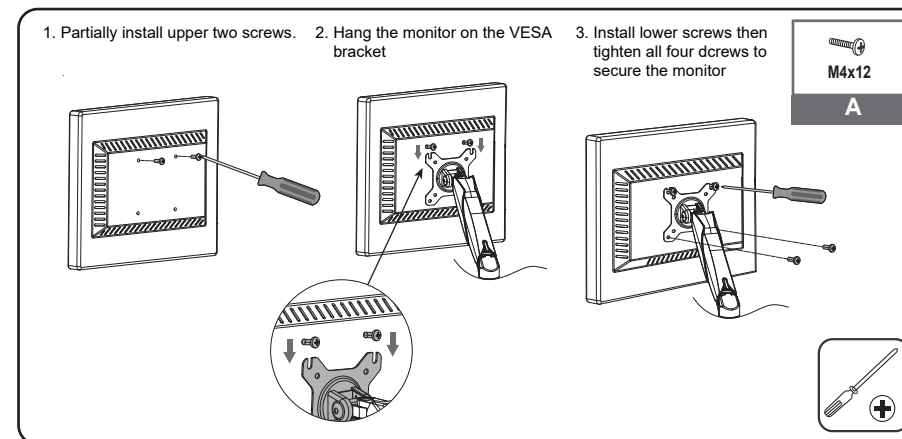


*Handling times targeted at 24 hours.
Please allow time for a response.*

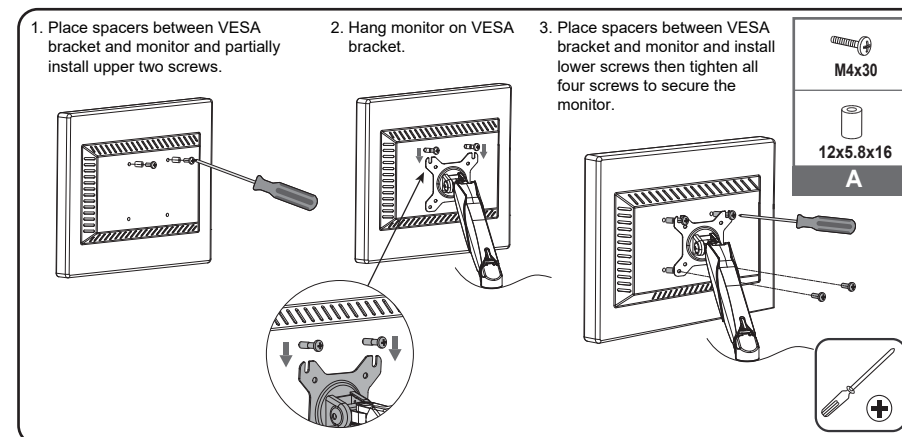
ASSEMBLY INSTRUCTIONS

3

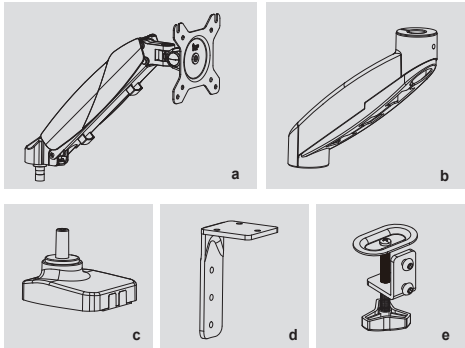
Flush surface installation:



Recessed surface installation:

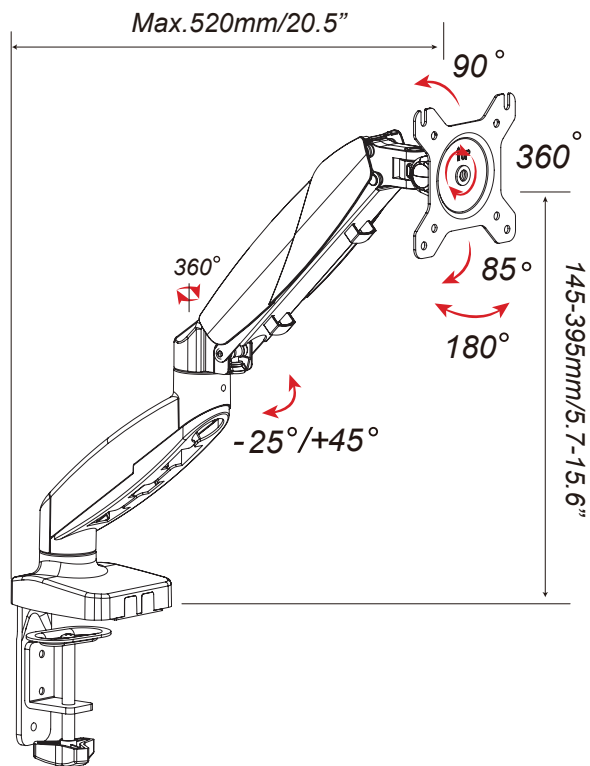


WHAT'S IN THE BOX



A	M4x12 (x4)	M4x30 (x4)	12x5.8x16 (x4)
B	S=3mm (x1)	S=4mm (x1)	S=5mm (x1)
C	M6x12 (x3)		
	TOOLS REQUIRED NOT INCLUDED		

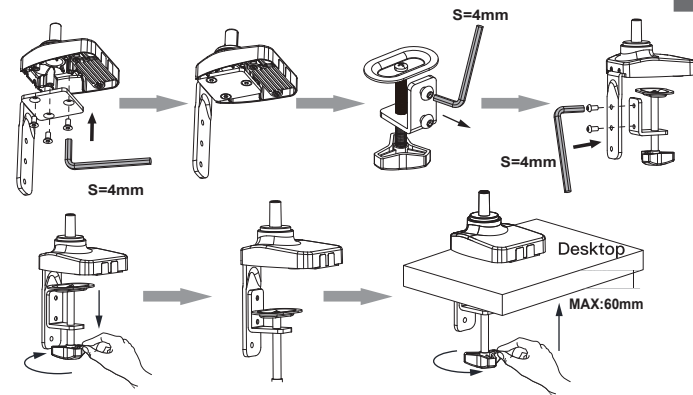
DIMENSIONS AND ANGLE ADJUSTMENTS



ASSEMBLY INSTRUCTIONS

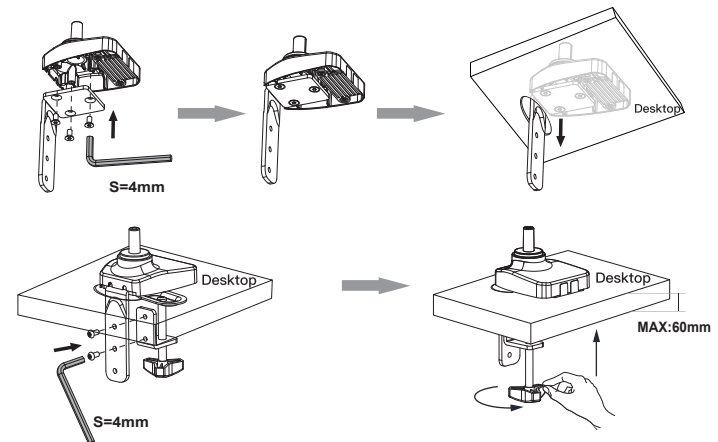
1

Desk Clamp Installation



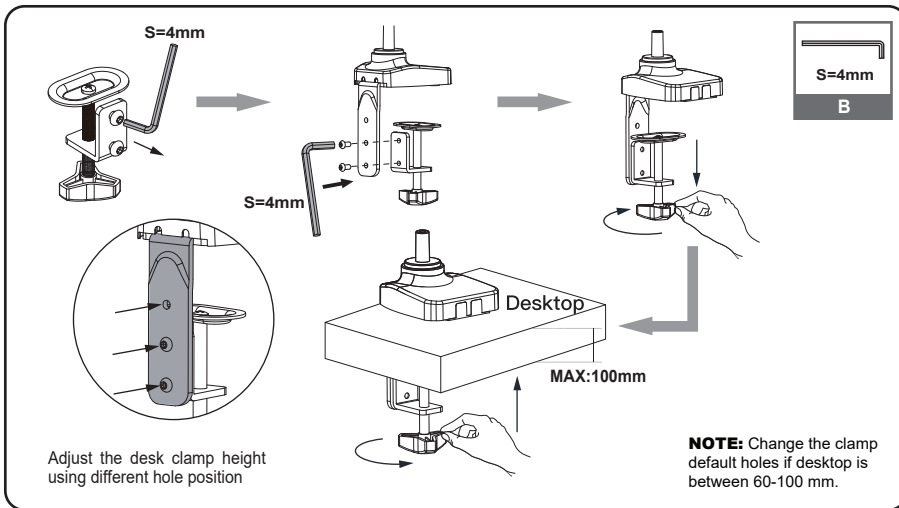
OR

Grommet Installation

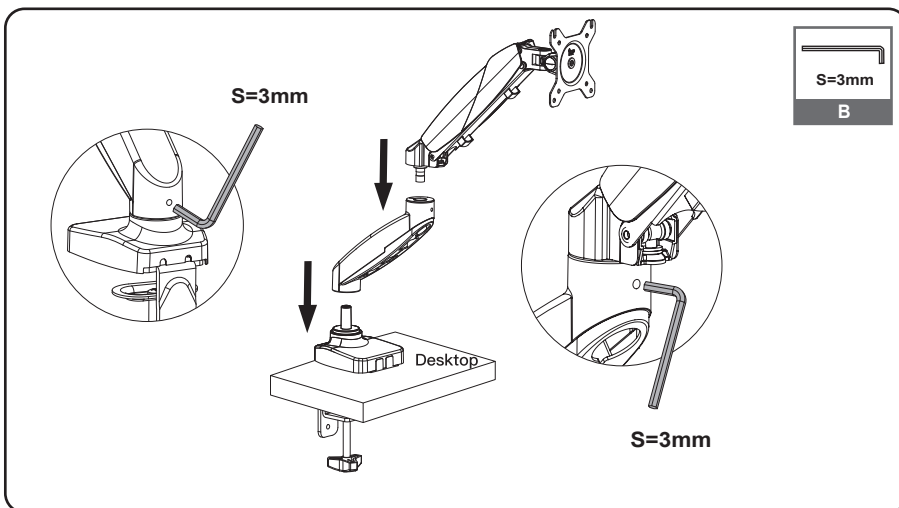


NOTE: If your desk has an existing grommet hole, please install directly. If there is no existing grommet hole, make a mark on your mounting surface, and use a drill to create a hole (40-60mm) in the mounting surface.

ASSEMBLY INSTRUCTIONS



2



Install the lower arm to the base.
Insert the gas spring arm above the lower arm.

WARNING



FAILURE TO COMPLY WITH OR OBSERVE ALL ASSEMBLY, SAFETY, AND OPERATION INSTRUCTIONS REGARDING THE USE OF THIS PRODUCT MAY RESULT IN **PROPERTY DAMAGE** OR **BODILY INJURY**.



Prior to the installation of this product, the installation instructions must be read and completely understood. Failure to do so may result in personal injury, property damage or voiding of warranty.



Do not install on a structure that is prone to vibration, movement or impact. Reinforce the structure as required before installation.



The desk clamp can support a maximum thickness of 100 mm. Confirm the thickness of your desk before installation.



Exceeding the weight capacity can result in malfunction, serious injury, and property damage.



Do not attempt to construct or operate the mount if parts are missing or damaged. Please contact our customer support team to assist.

ASSEMBLY INSTRUCTIONS

4

Press down the arm to a horizontal position

For easier mobility, keep the arm in the horizontal position when making adjustments.

Use the Allen key to adjust the tension of the gas spring arm, ensuring it can hold monitors of varying weights in any position.

Increase tension for heavier monitors
 Decrease tension for lighter monitors

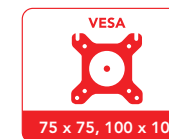
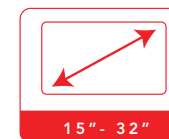
5

Insert cables into cable covers. Leave enough slack at arm joints for full adjustment.

Use the Allen key to adjust the tension of the gas spring arm, ensuring it can hold monitors of varying weights in any position.

GT Omega[®]

STAY AHEAD OF THE GAME



ΩMEGA NOMIC

MONOLIFT

www.gtomega.co.uk