

ΩMEGA NOMIC

POWERED BY *GT Omega*[®]



CORE

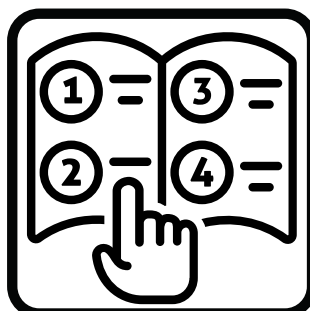
SINGLE MOTOR DESK

Assembly Guide

Recommended
1-2 People



Read Instructions
10 Minutes



Assembly Time
60-120 Minutes

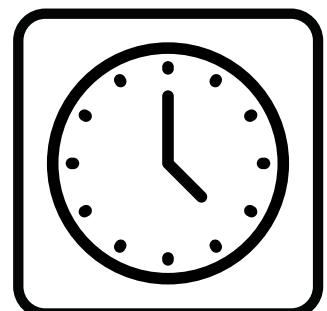


TABLE OF CONTENTS

PAGE 1

NOTICES

PAGE 2

WHAT'S IN THE BOX

PAGE 3 - 5

ASSEMBLY INSTRUCTIONS

PAGE 6

OPERATION GUIDE

PAGE 7

MORE FROM GT OMEGA



Need Help? We're here for you! [Contact our support team:](#)



WARNING



Children should not use unsupervised



Do not exceed load capacity of **80KG**



Do not stand on the desk.



Do not sit on the desk.



Keep hands away from moving parts



Do not Push or pull desk across the floor



Do not use the desk as a cutting surface



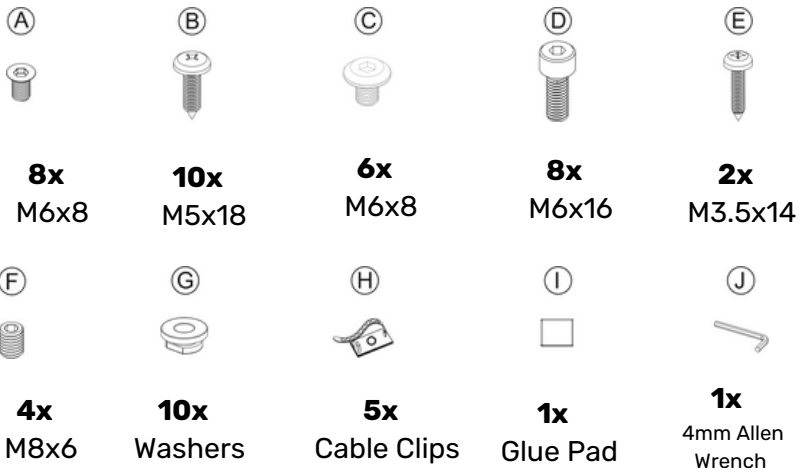
FAILURE TO COMPLY WITH OR OBSERVE ALL ASSEMBLY, SAFETY, AND OPERATION INSTRUCTIONS REGARDING THE USE OF THIS PRODUCT MAY RESULT IN **PROPERTY DAMAGE** OR **BODILY INJURY**.

- This document contains important safety regulations. Any non-conforming use may result in personal injury or mechanical damage.
- Please read this user manual carefully before use as it provides key information about safety, use, assembly and maintenance of the desk.
- Ensure that you have received all parts according to the part checklist prior to installation. If any parts are missing or faulty, contact the GT Omega support team for replacements.
- **Do not** over tighten the screws during installation.
- This product contains small items that could be a choking hazard if swallowed. Keep these items away from children.
- This product is designed for indoor use only. Using the product outdoors could lead to product failure and personal injury
- Alteration or modification of any factory components outlined in the checklist will automatically void your warranty
- Place the desk away from corrosive gas, water and dusty environments.

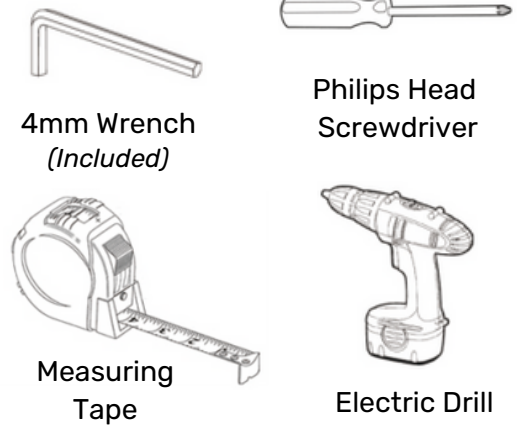
This desk is designed for indoor use and dry work areas only. Under no circumstances does the manufacturer accept warranty claims or liability claims for damages caused from improper use or handling of the desk.

WHAT'S IN THE BOX

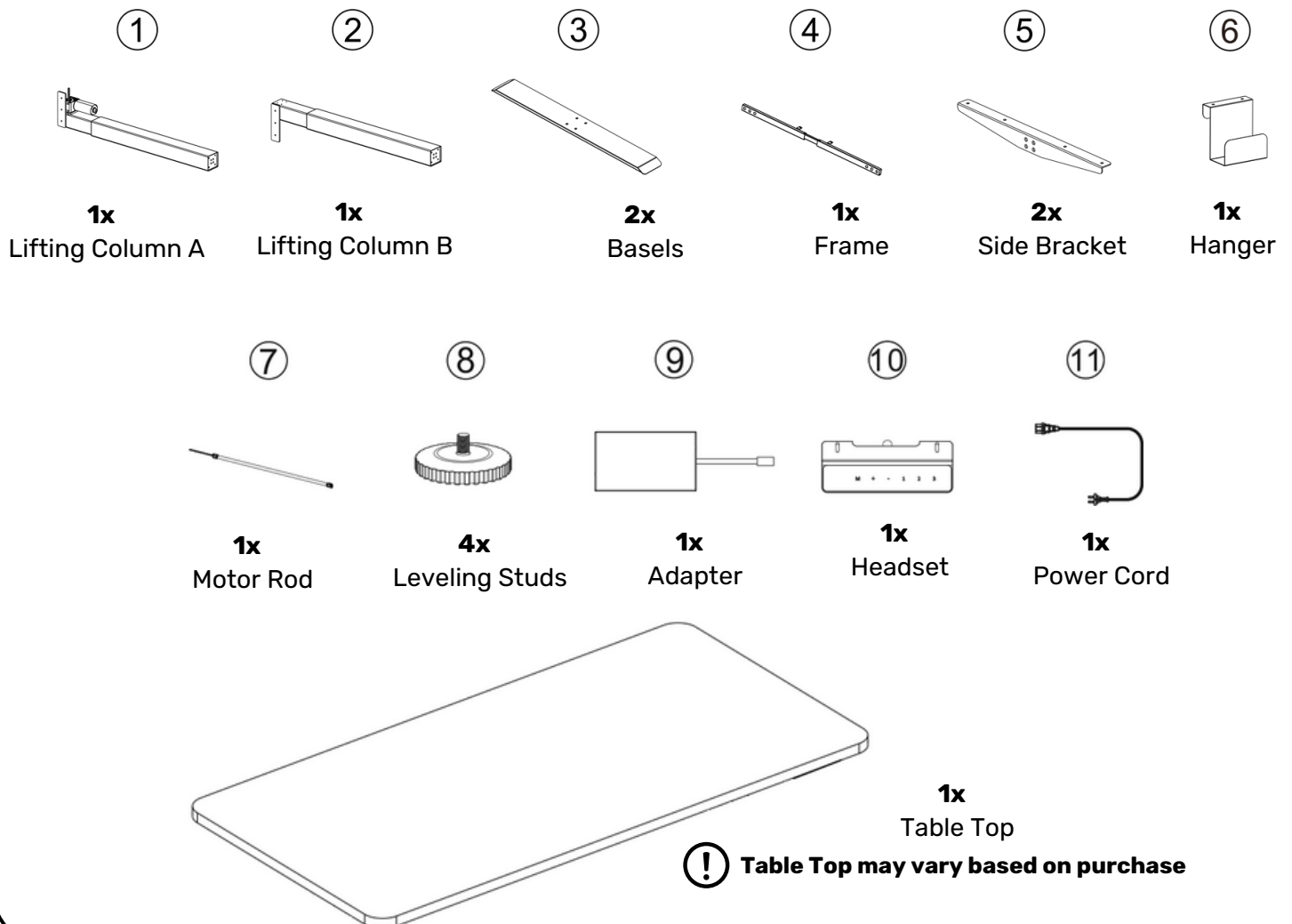
Hardware



Tools Required

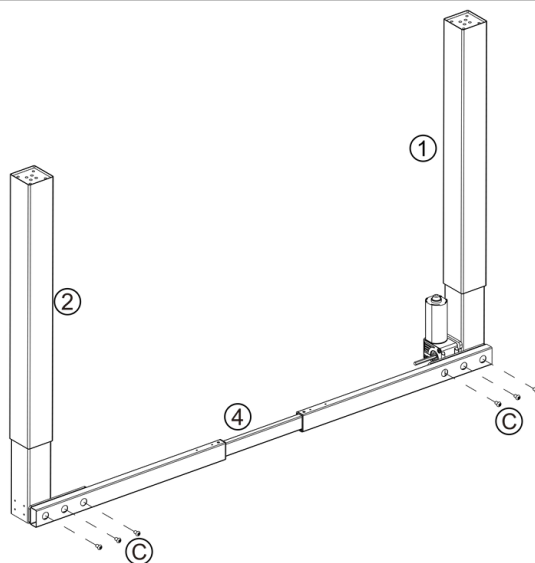


Components



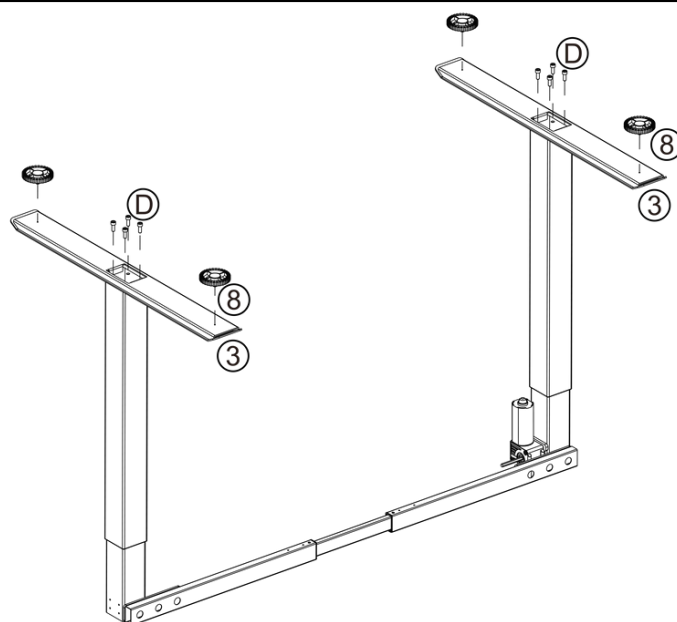
ASSEMBLY INSTRUCTIONS

1



- | | | |
|---|---------------|-----|
| ① | Lift Column A | * 1 |
| ② | Lift Column B | * 1 |
| ④ | Frame | * 1 |
| Ⓒ | M6×8 Screws | * 6 |

2

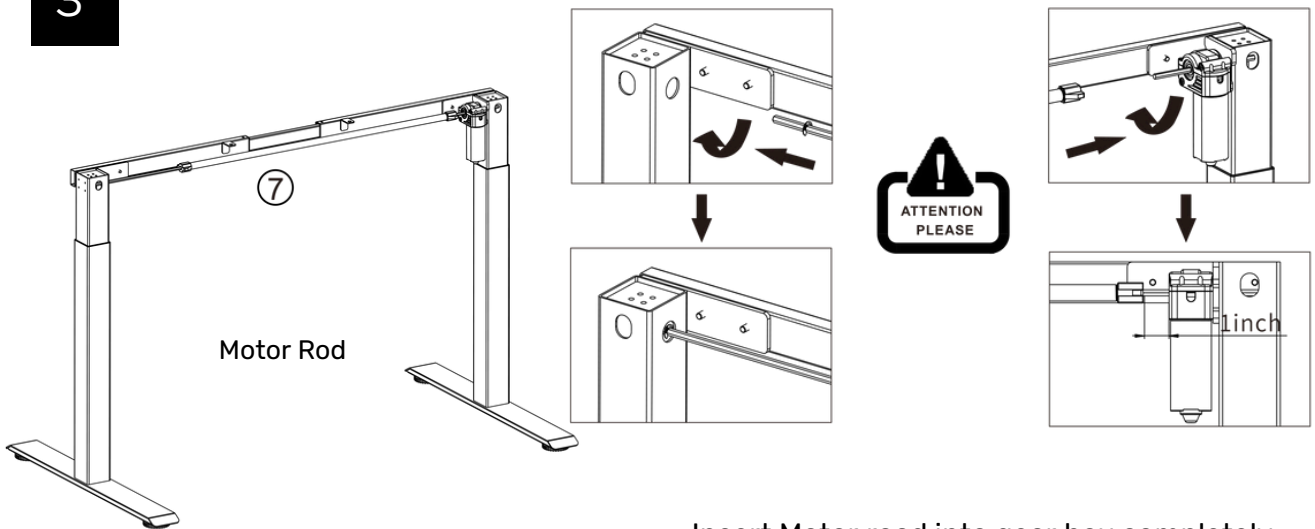


- | | | |
|---|----------------|-----|
| ③ | Base | * 2 |
| ⑧ | Leveling Studs | * 4 |
| Ⓓ | M6×16 Screws | * 8 |

⚠ Avoid over-tightening screws. As this may damage the product.

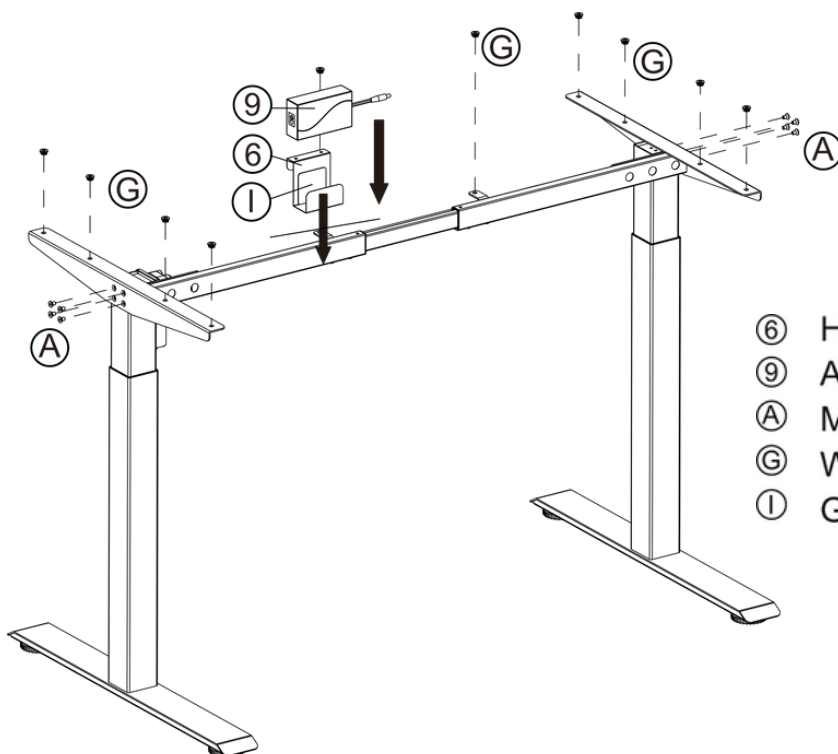
ASSEMBLY INSTRUCTIONS

3



- Insert Motor rod into gear box completely.
- Keep less than **1 inch** between motor rod and motor.

4



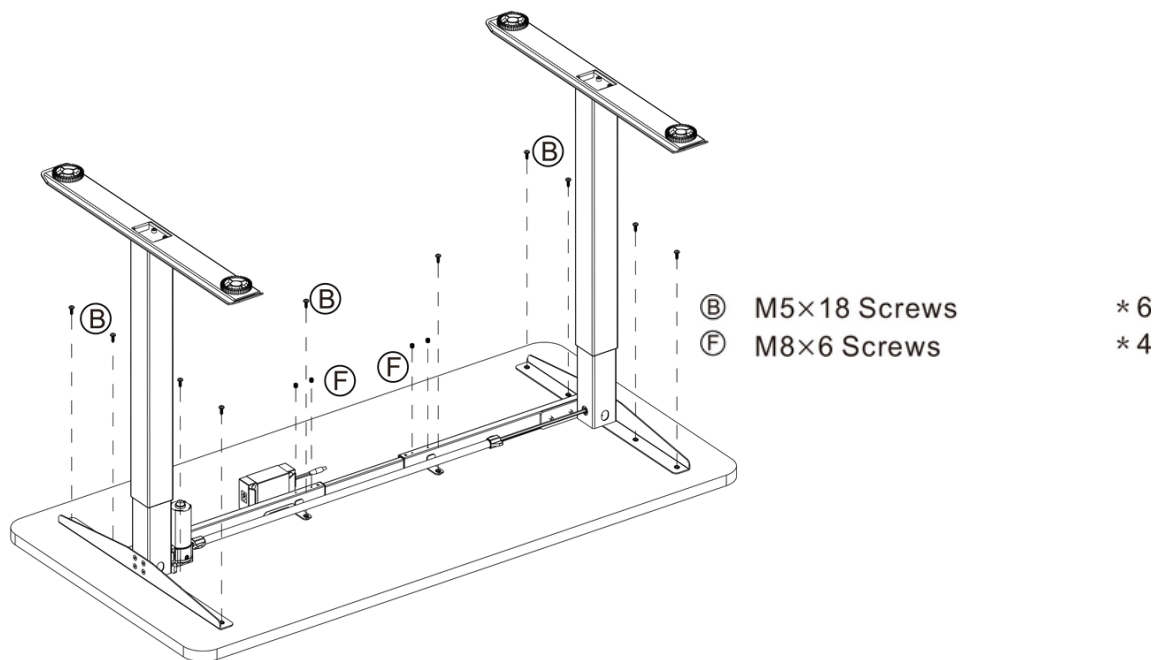
- | | | |
|---|-------------|-----|
| ⑥ | Hanger | * 1 |
| ⑨ | Adapter | * 1 |
| Ⓐ | M6×8 Screws | * 4 |
| Ⓒ | Washers | * 6 |
| Ⓛ | Glue Pad | * 1 |



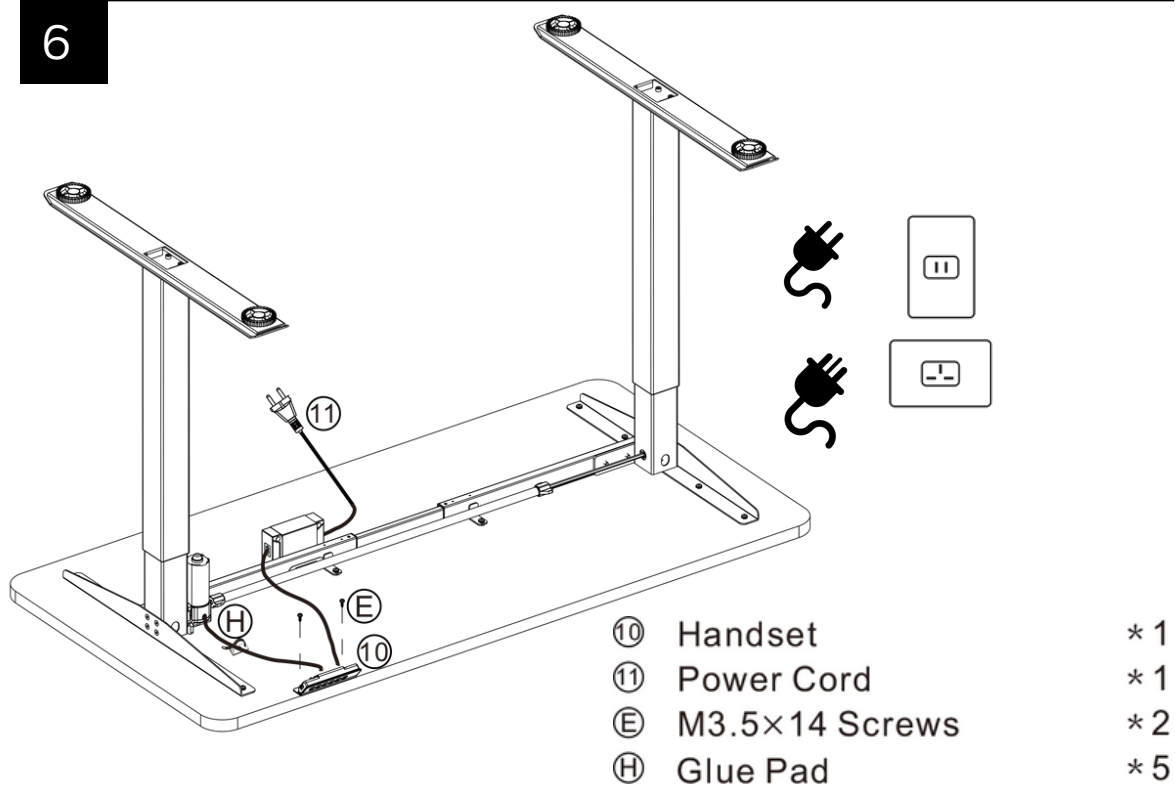
Avoid over-tightening screws. As this may damage the product.

ASSEMBLY INSTRUCTIONS

5



6



Avoid over-tightening screws. As this may damage the product.

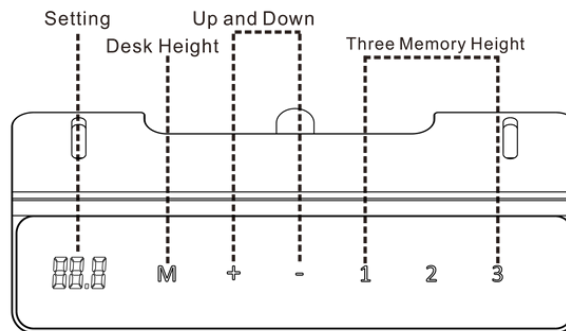
READY TO USE

Before plugging the desk into the outlet, make sure that...

- Both legs are level and the desk is set at the **lowest position**.
- All the screws are tightened to maximise stability.

Activate the desk

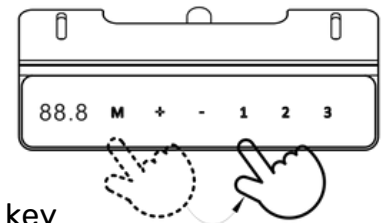
- Push the down button to lower the desk to the **lowest position** - 71cm
- Release the down button, and wait for **3 seconds**. Then hold the down button again until the display changes from RST to 71.



OPERATION GUIDE

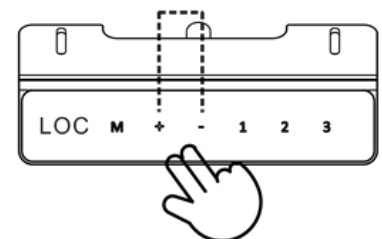
Store height setting

- Adjust desk to desired height
- Push and hold the M key until the display shows S-
- Press a number key to store the height setting to that key



Advanced Safety feature-lock and unlock the table.

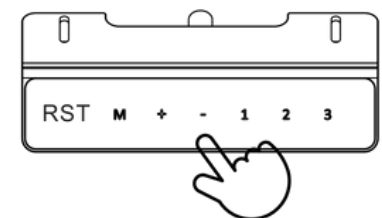
- Hold up and down keys together for **5 seconds**, the display will read **LOC**
- Button presses will be inactive while the table is locked.
- To unlock the desk, repeat the first step.



Reset the table

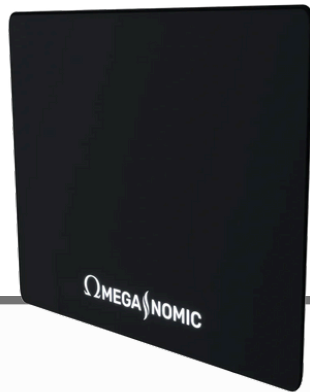
If the display shows an Error code or **RST**

- Push the down button to lower the desk to the **lowest position** - 71cm
- Release the down button, and wait for **3 seconds**. Then hold the down button again until the display changes from RST to 71.



⚠ If the display shows **HOT**, unplug desk for 20 minutes then repower.

Looking to upgrade your comfort? Check out these best sellers!



Mouse Mat

Developed with ergonomics in mind, our Omeganomic desk mat is the leading choice for adding comfort to your new desk.



Floor Pad

The Omeganomic Floor Pad features embroidered anti-fray edges and a dual-purpose non-slip rubber backing which protects your floors and stops the mat from sliding.



PRO GEN 2.0

The GT Omega Pro Series Gen 2.0 is the next step in the evolution of our classic **Pro Series Gaming chair**.



To see these products and more, visit us at gtomega.co.uk