



**CERTIFIED SIM RACING**

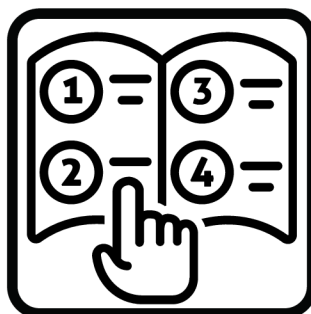


# PRIME COCKPIT Assembly Guide

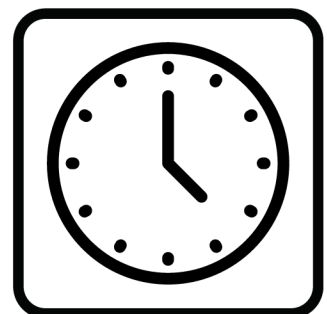
Recommended  
**1-2 People**



Read Instructions  
**10 Minutes**



Assembly Time  
**60-120 Minutes**



# WARNING



Children should not use unsupervised



Do not exceed load capacity of **200KG**



Do not stand on the Cockpit



Take care when assembling



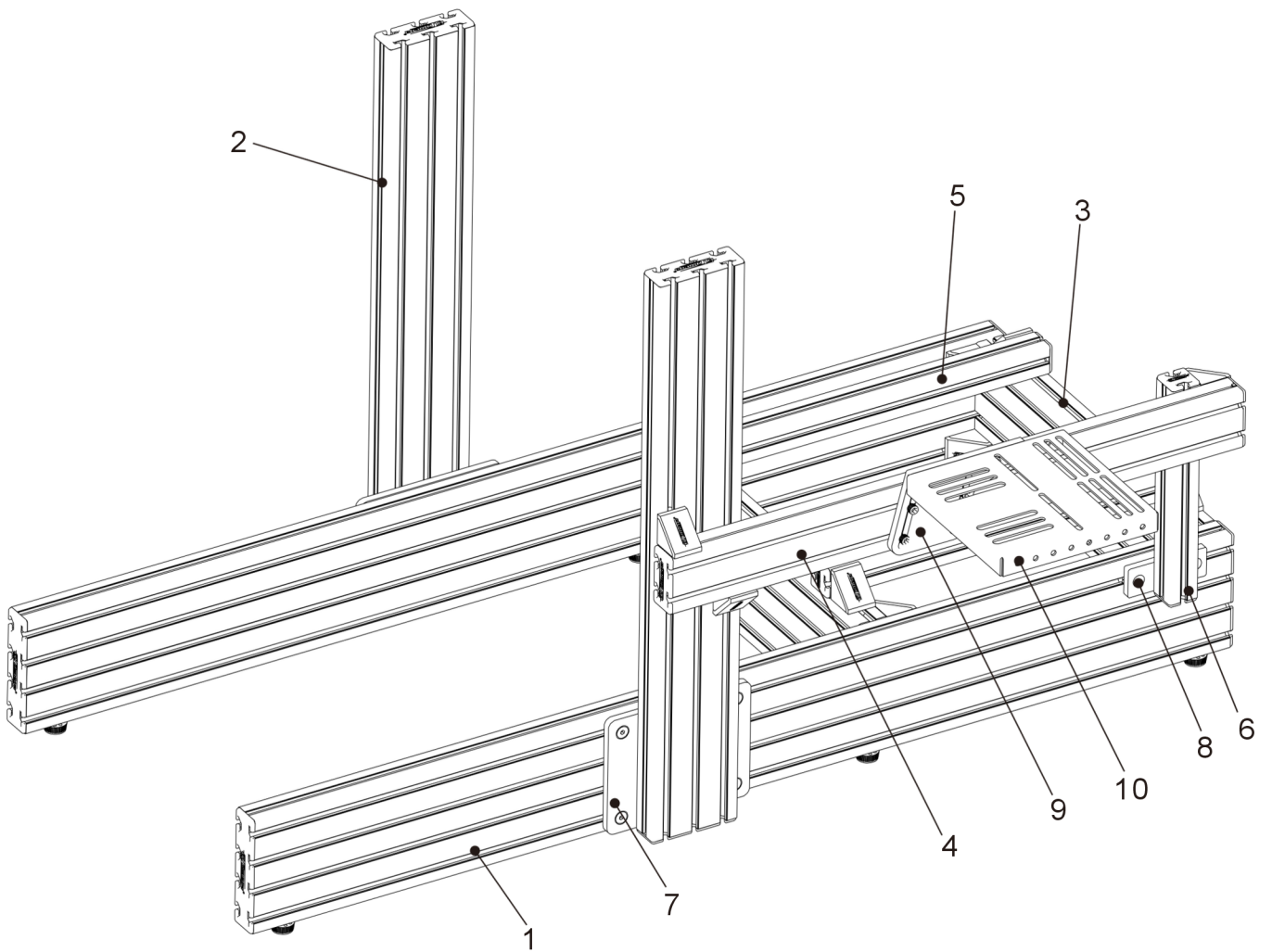
Do not push or pull Cockpit



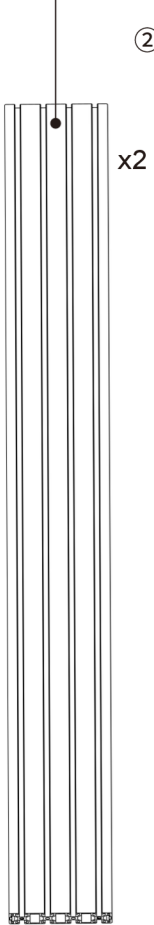
FAILURE TO COMPLY WITH OR OBSERVE ALL ASSEMBLY, SAFETY, AND OPERATION INSTRUCTIONS REGARDING THE USE OF THIS PRODUCT MAY RESULT IN **PROPERTY DAMAGE OR BODILY INJURY.**

- This document contains important safety regulations. Any non-conforming use may result in personal injury or mechanical damage.
- Please read this user manual carefully before use as it provides key information about safety, use, and assembly of the **PRIME Cockpit**.
- Ensure that you have received all parts according to the part checklist prior to installation. If any parts are missing or faulty, contact the GT Omega support team for replacements.
- **Do not** over tighten the screws during installation.
- This product contains small items that could be a choking hazard if swallowed. Keep these items away from children.
- This product is designed for indoor use only. Using the product outdoors could lead to product failure and personal injury.
- Alteration or modification of any factory components outlined in the checklist will automatically void your warranty.
- Place the **PRIME Cockpit** away from corrosive gas, water and dusty environments.

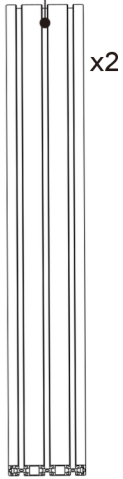
The **PRIME Cockpit** is designed for indoor use and dry work areas only. Under no circumstances does the manufacturer accept warranty claims or liability claims for damages caused from improper use or handling.



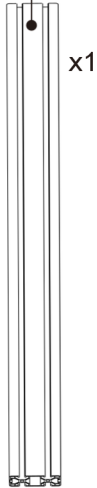
① 40-160-1370mm



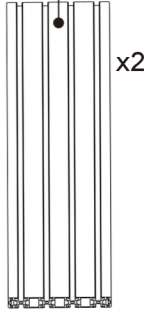
② 40-120-780mm



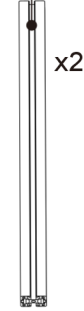
③ 40-80-800mm



④ 40-160-500mm



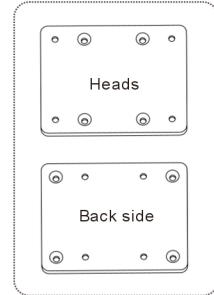
⑤ 40-40-500mm



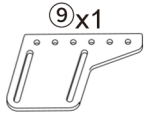
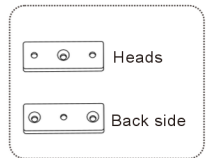
⑥ 40-40-300mm



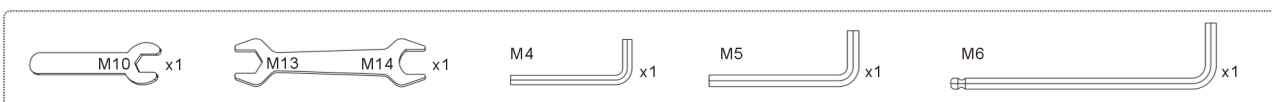
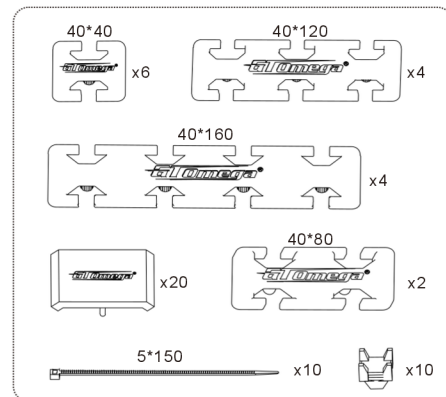
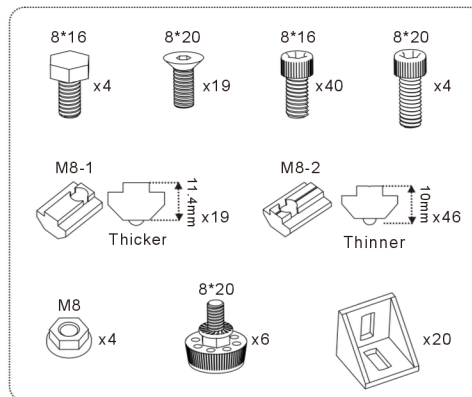
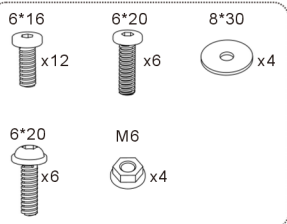
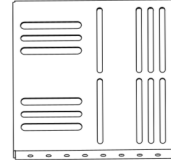
⑦ x2

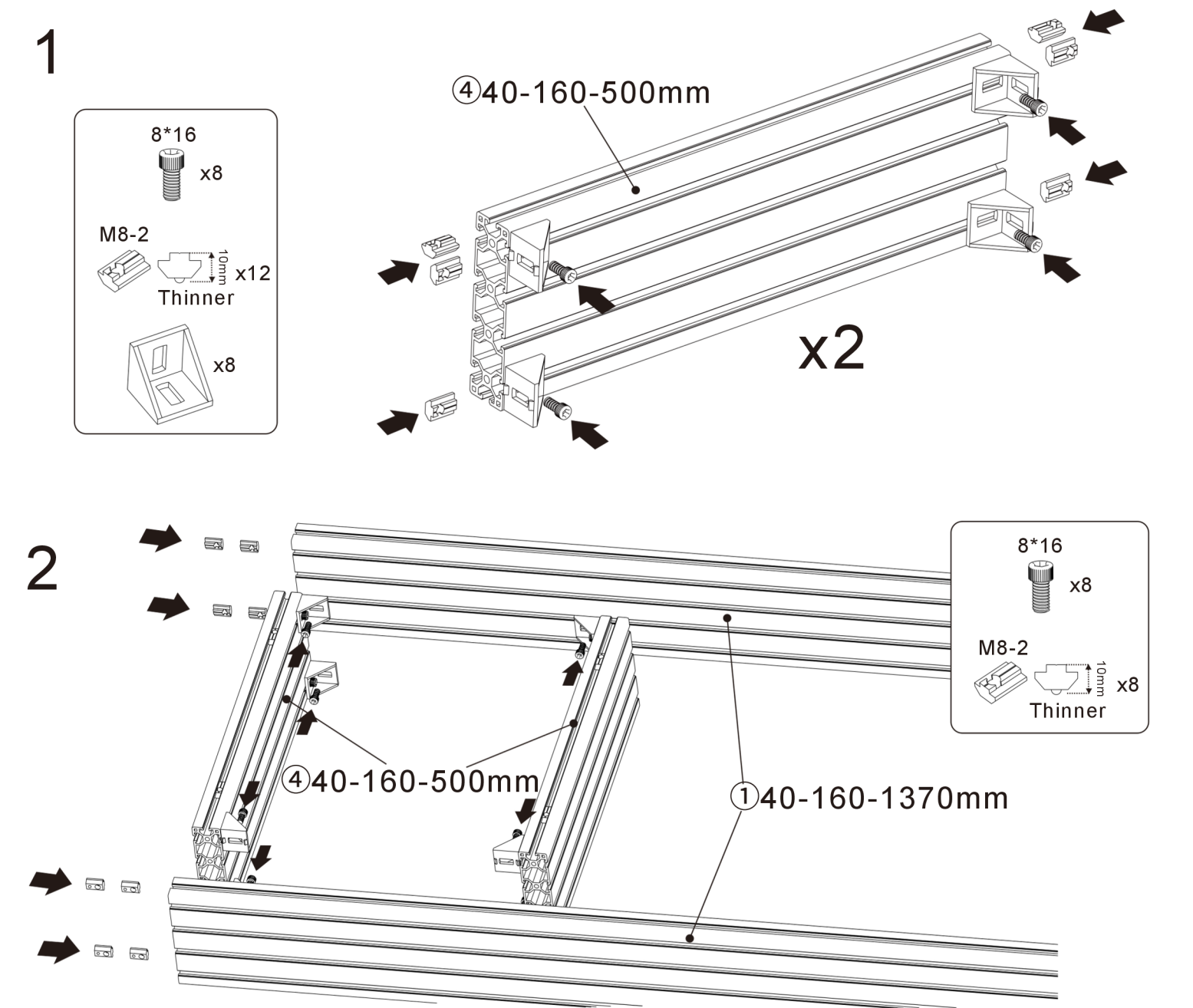
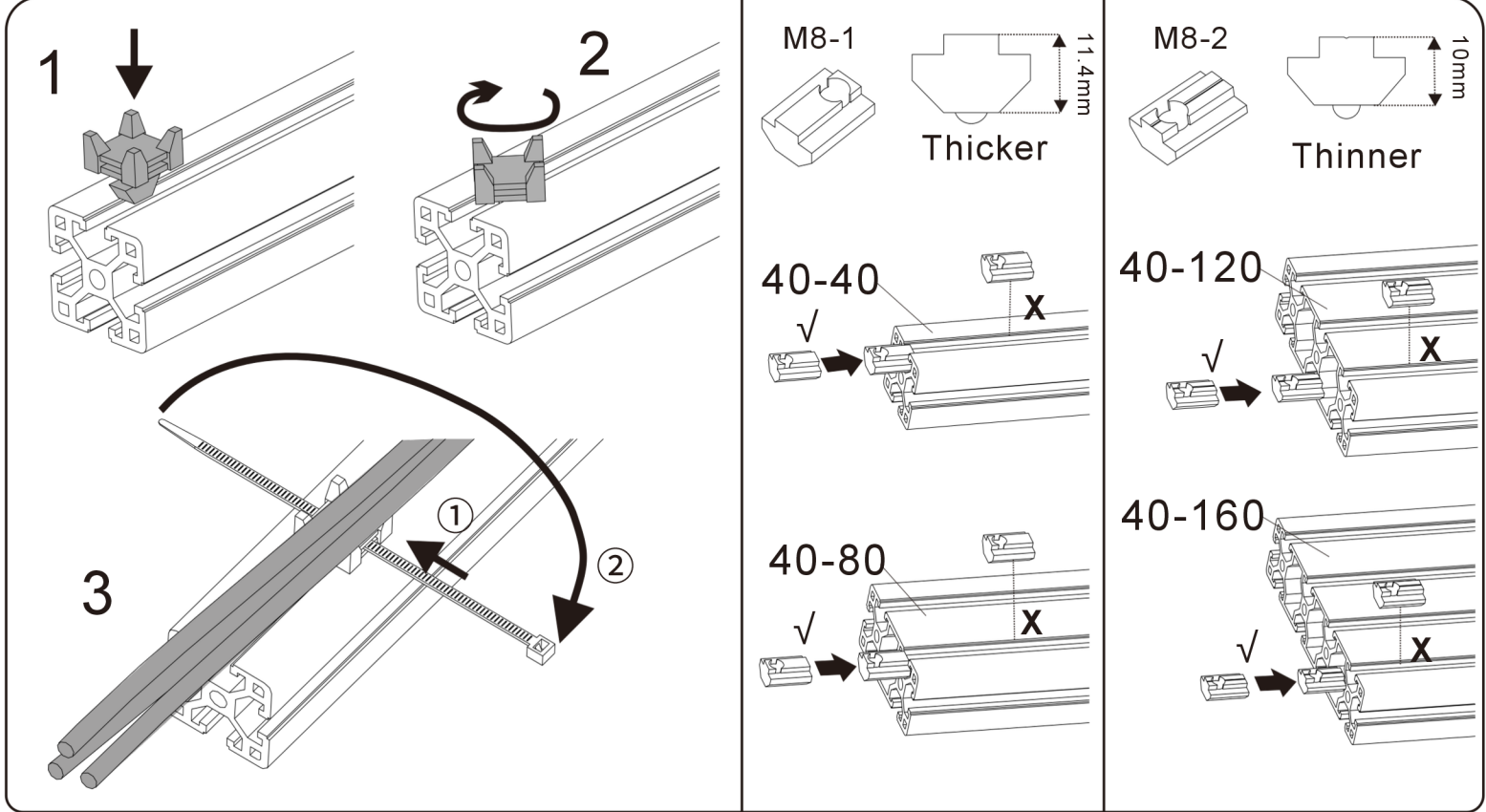


⑧ x1

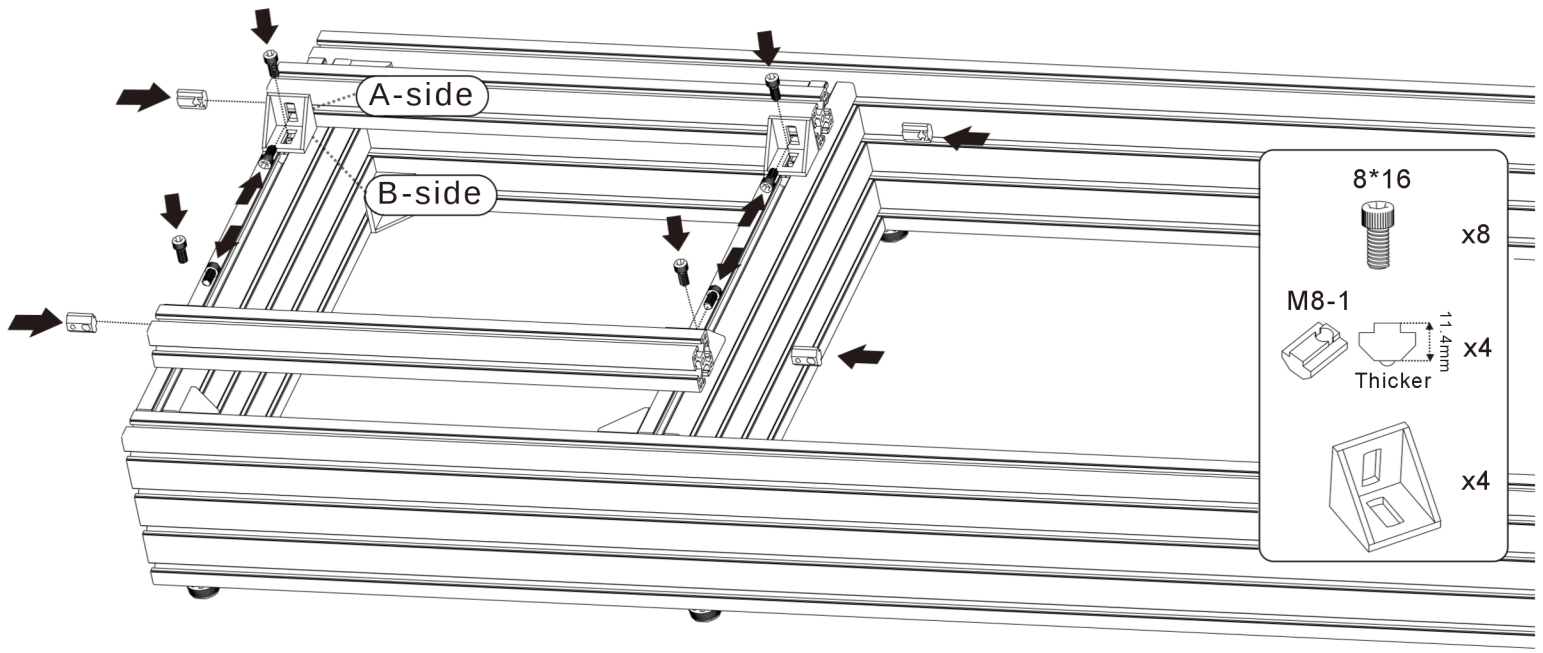
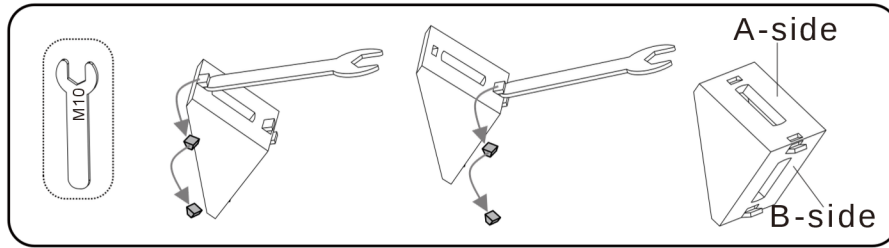


⑩ x1

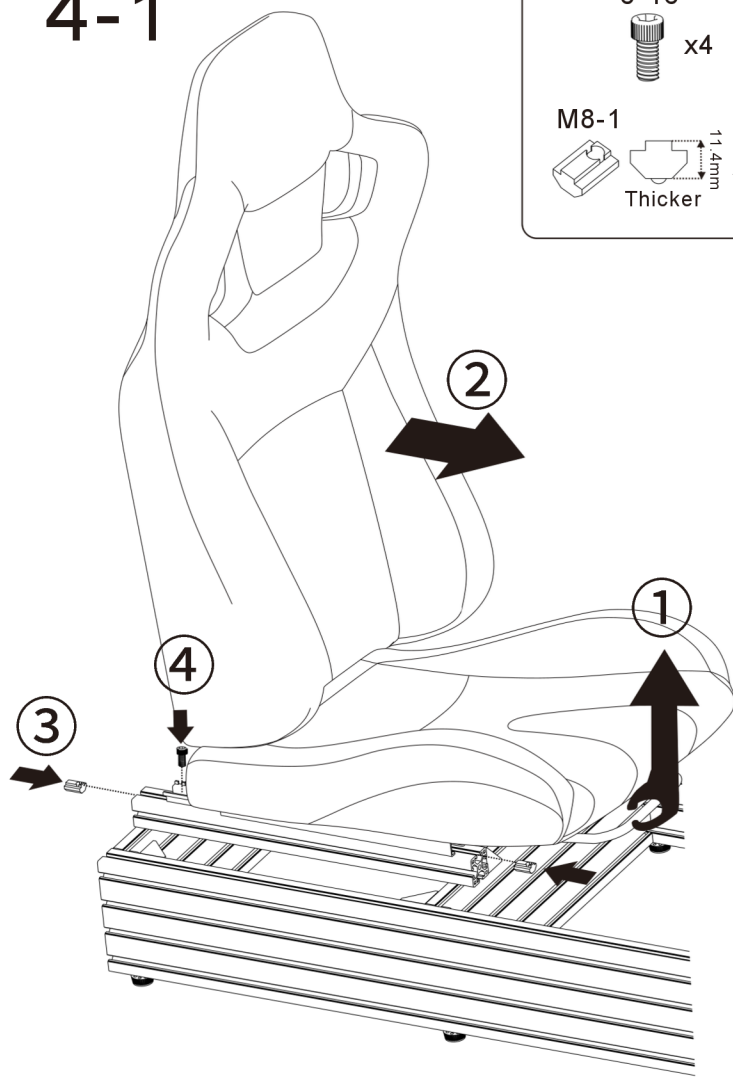
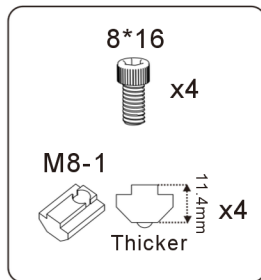




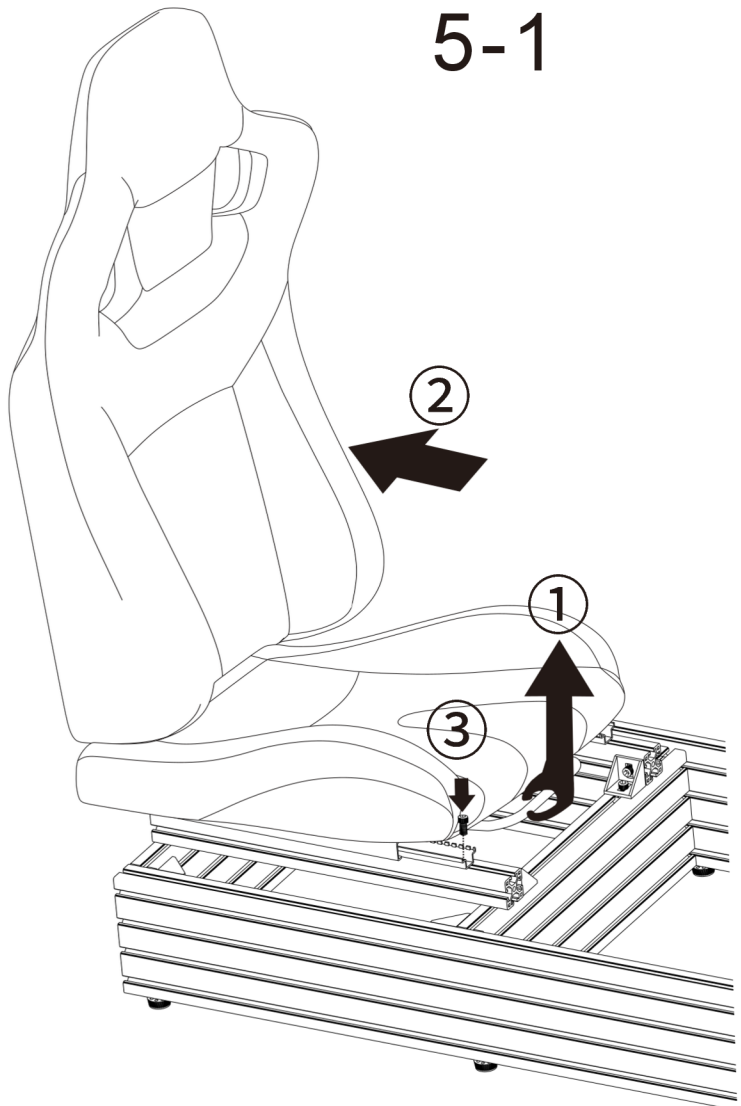
# 3-1



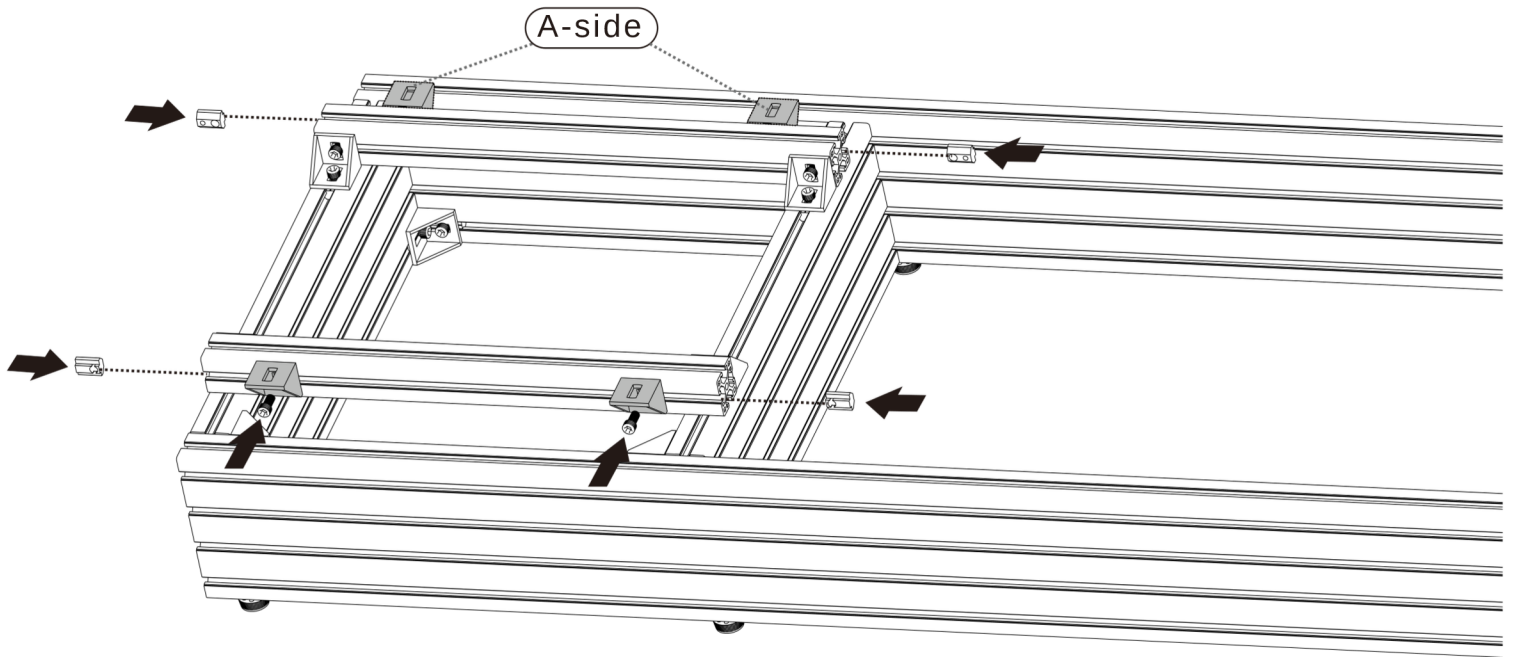
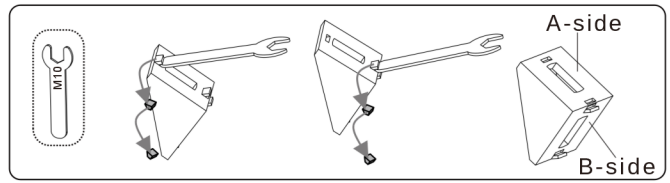
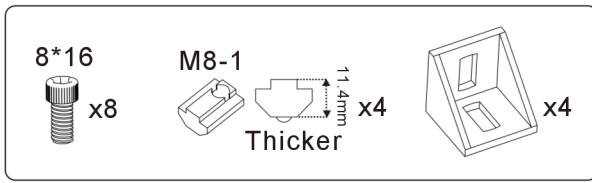
# 4-1



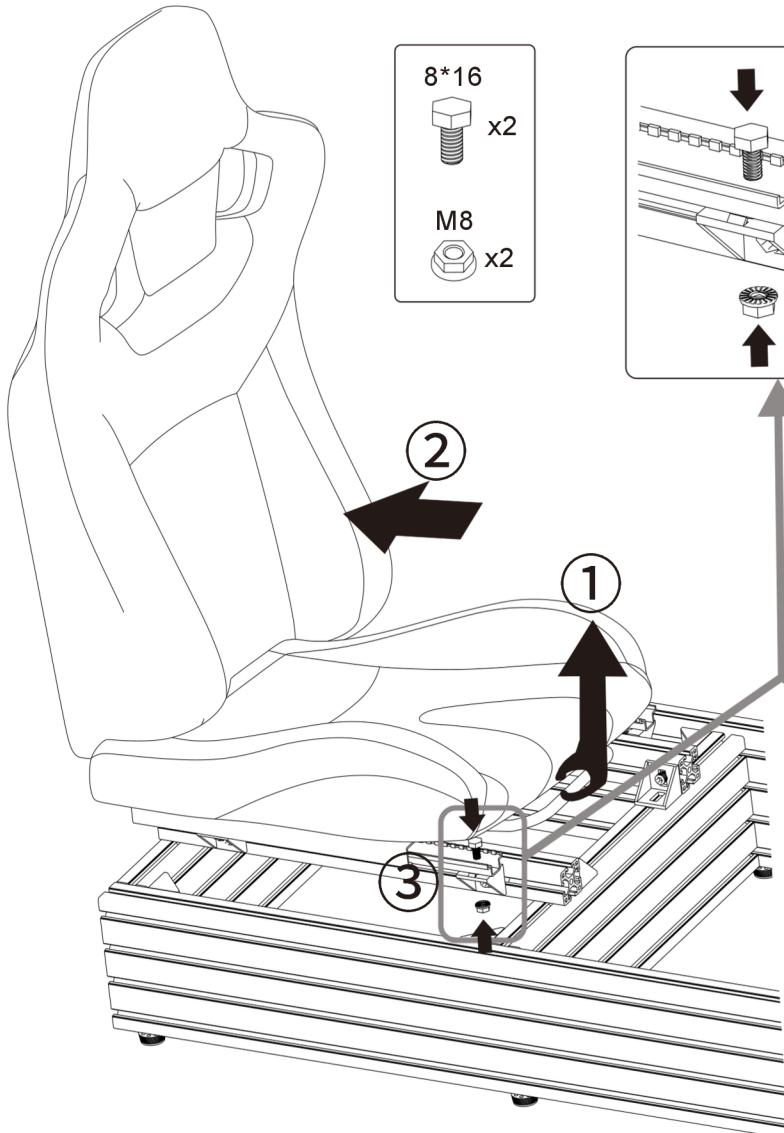
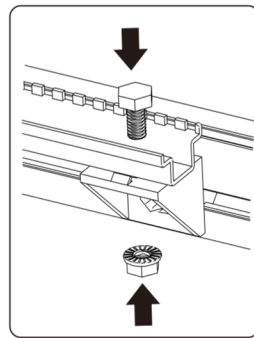
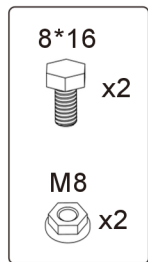
# 5-1



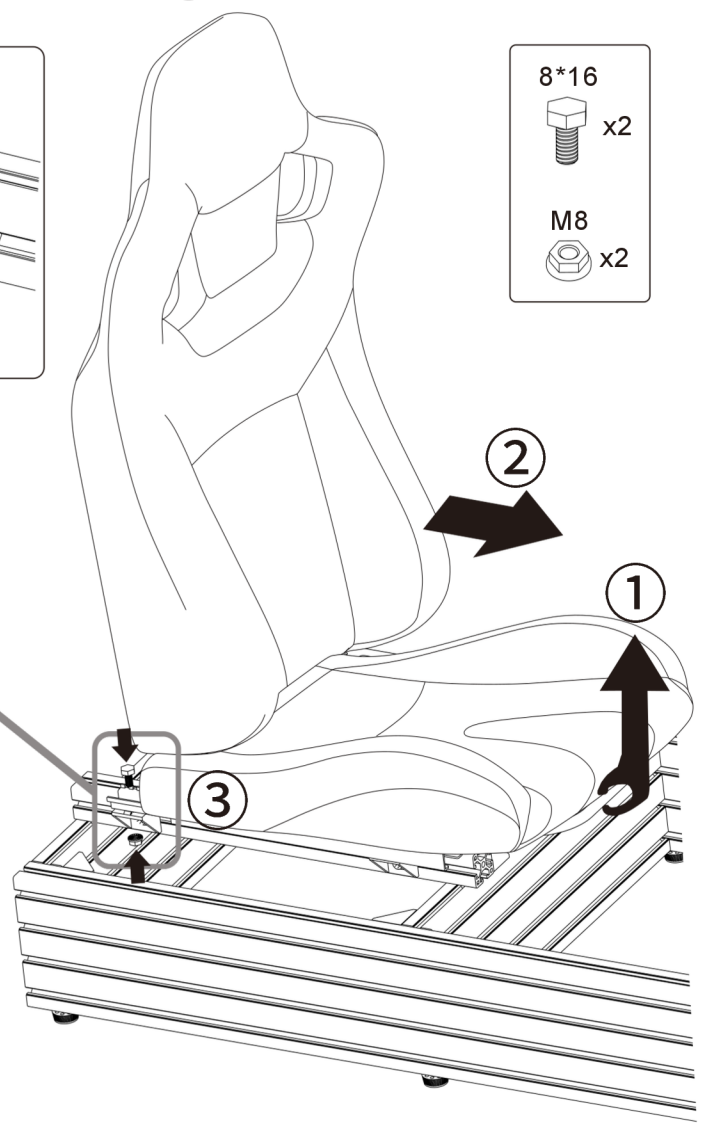
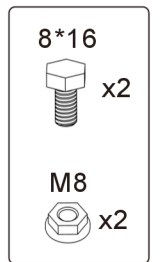
# 3-2



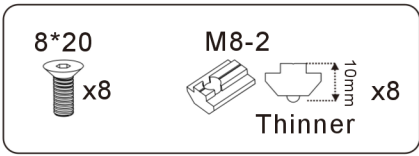
# 4-2



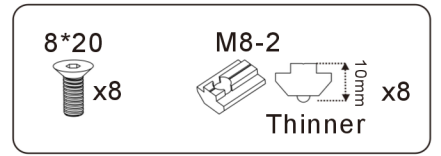
# 5-2



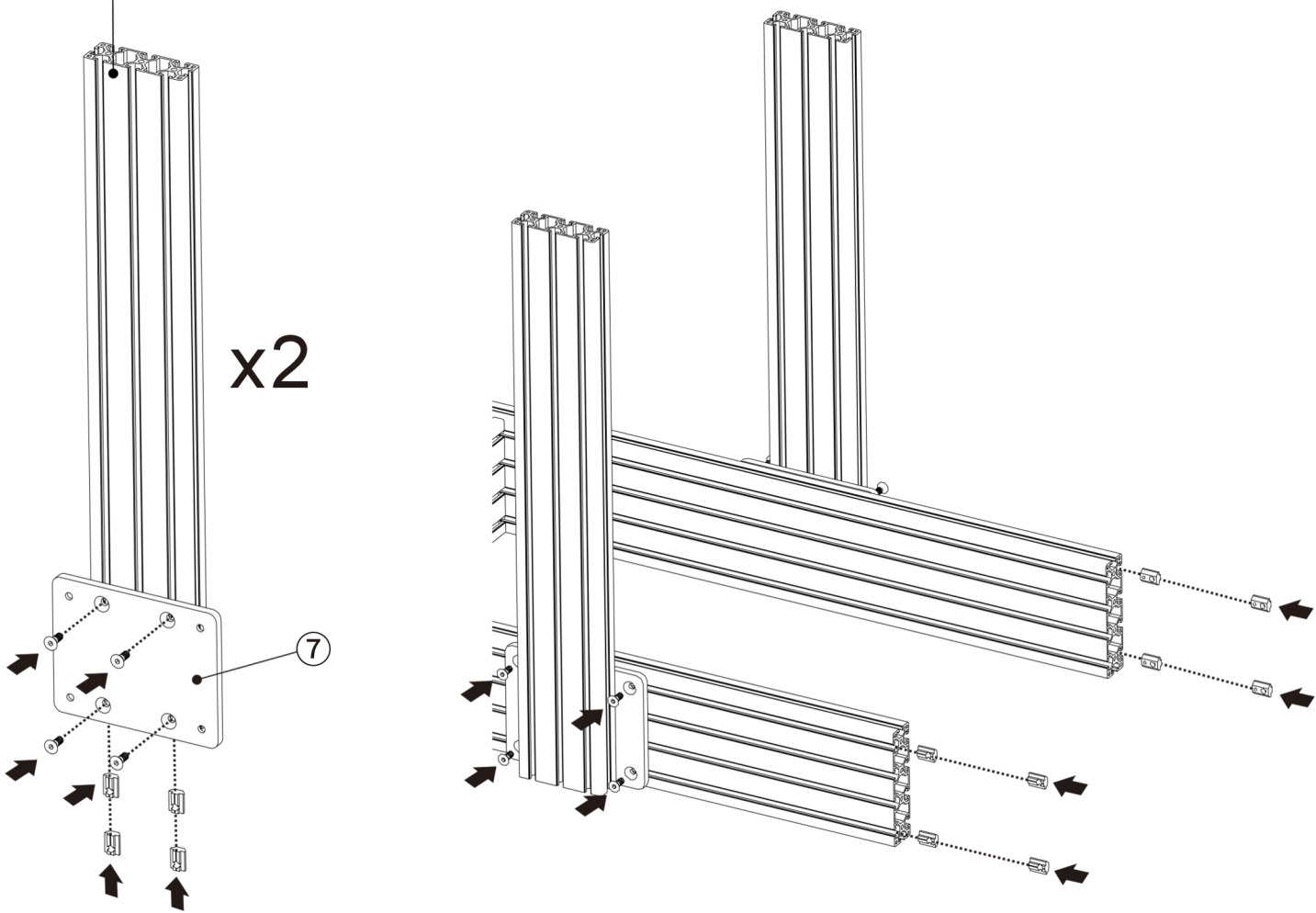
6



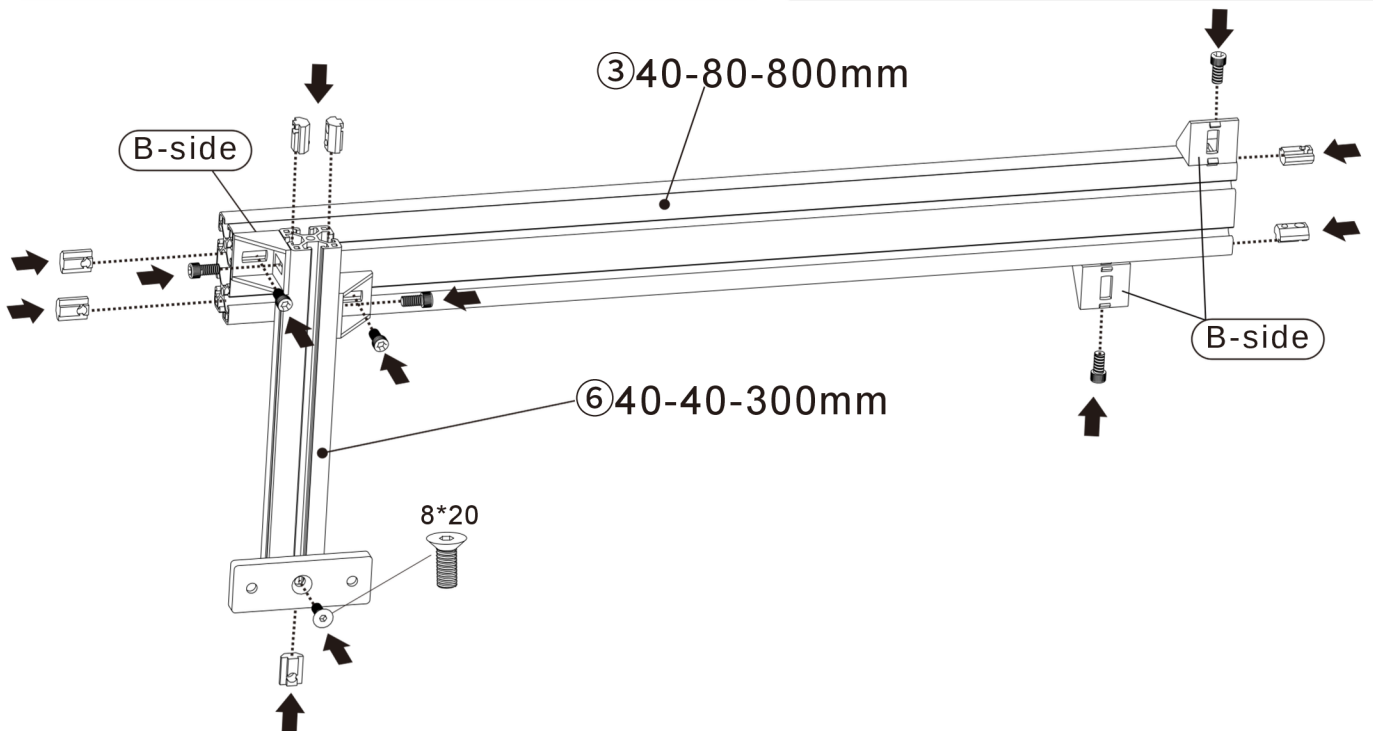
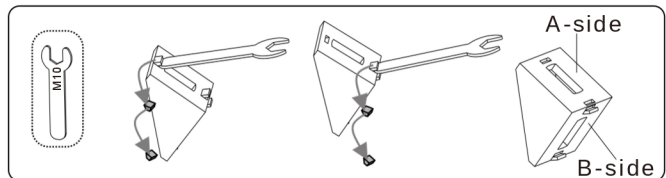
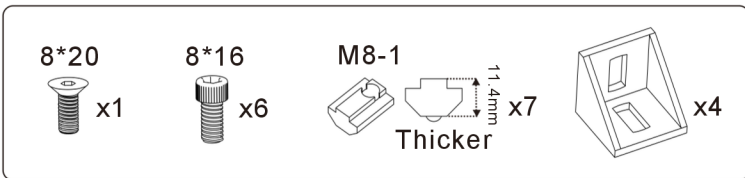
7



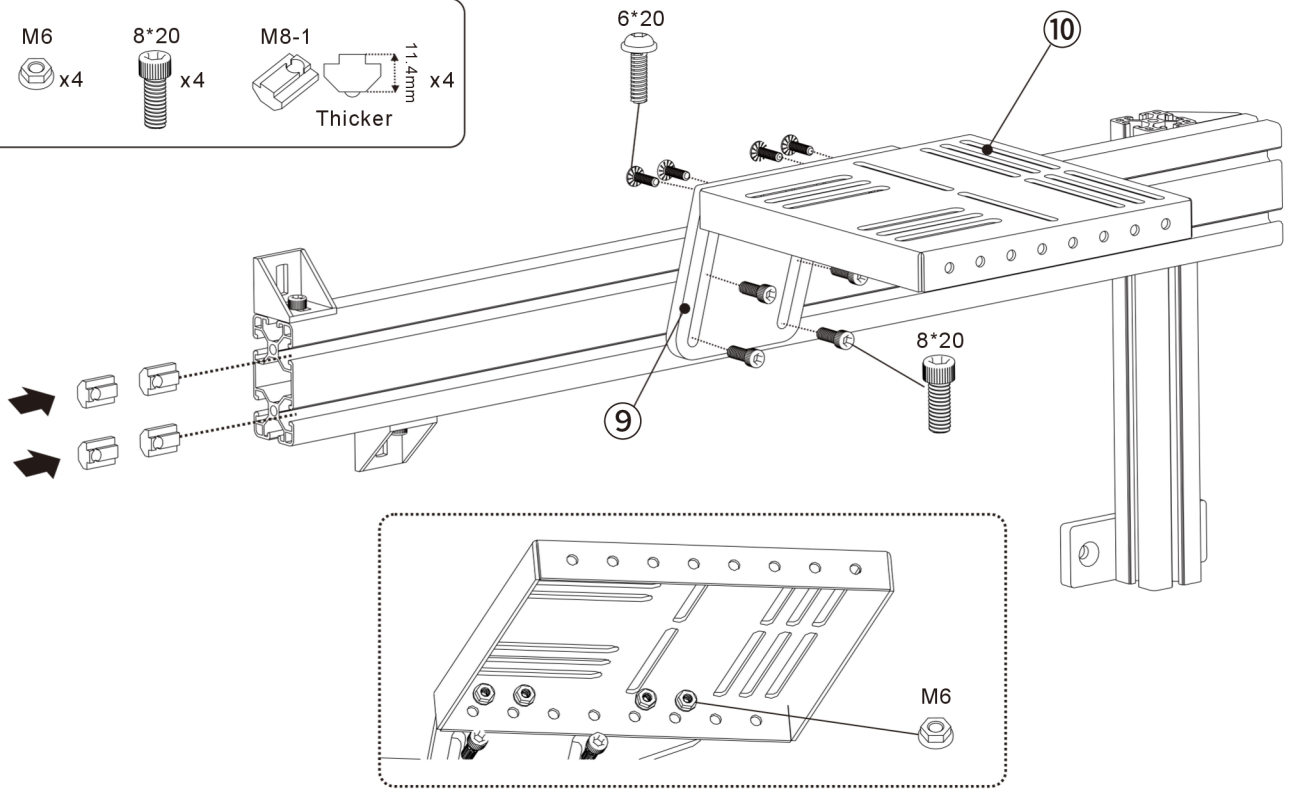
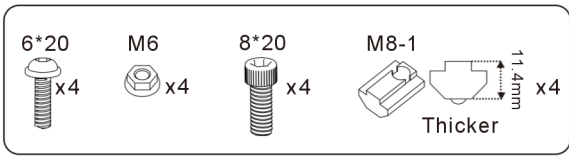
②40-120-780mm



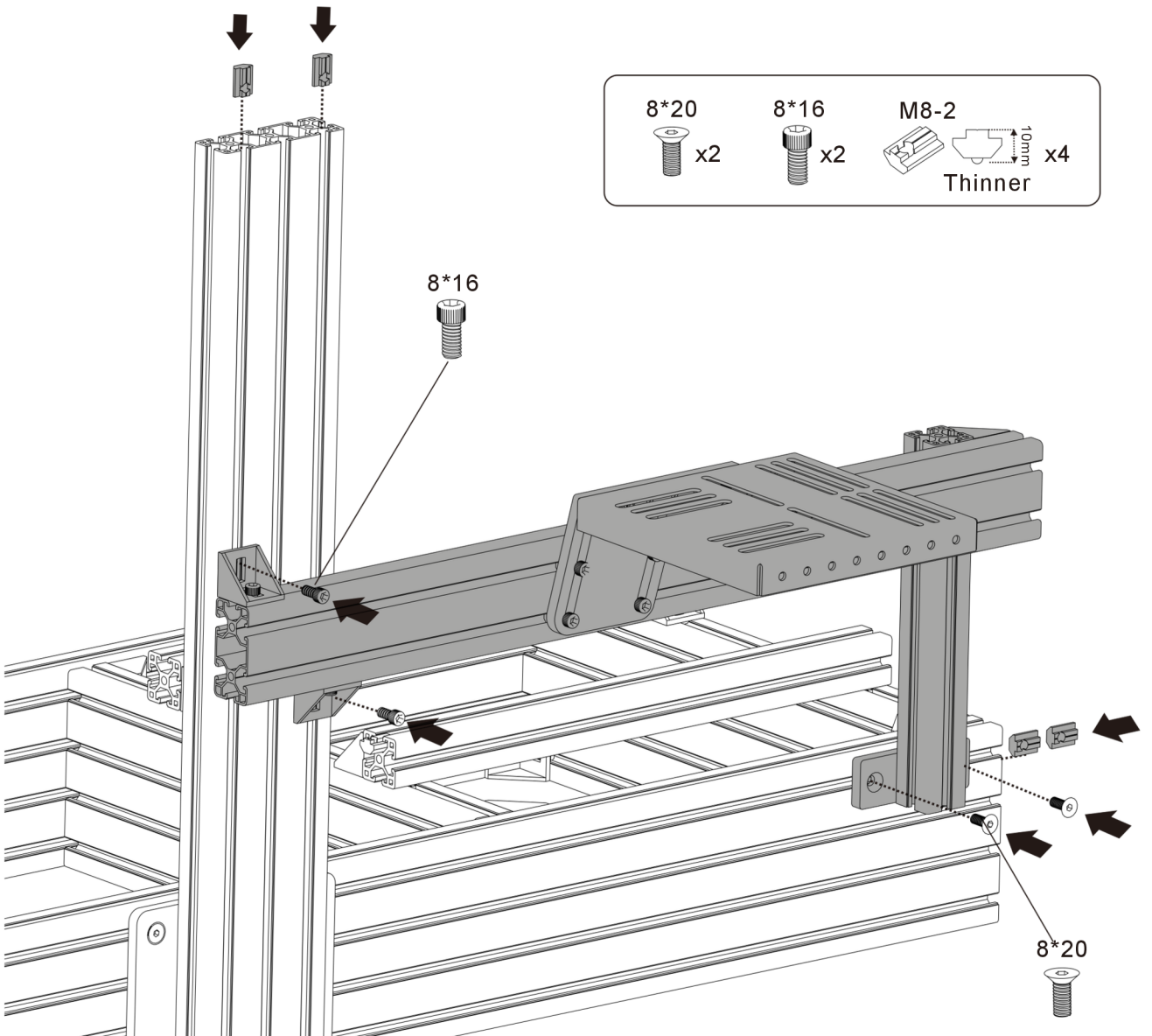
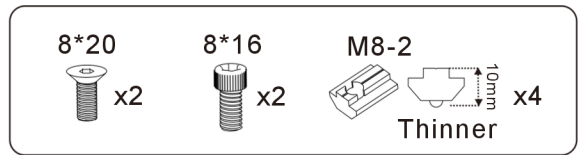
8



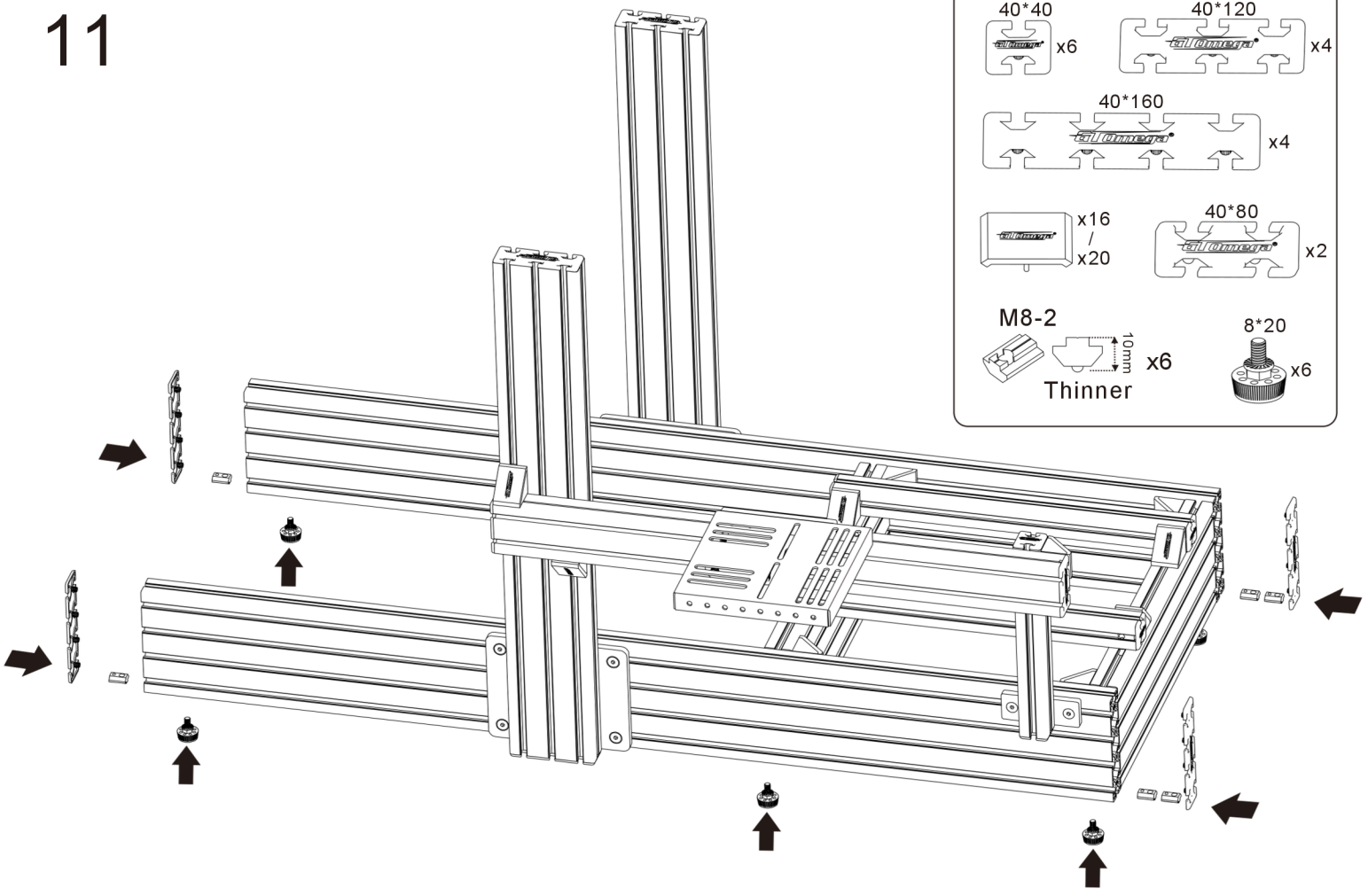
9



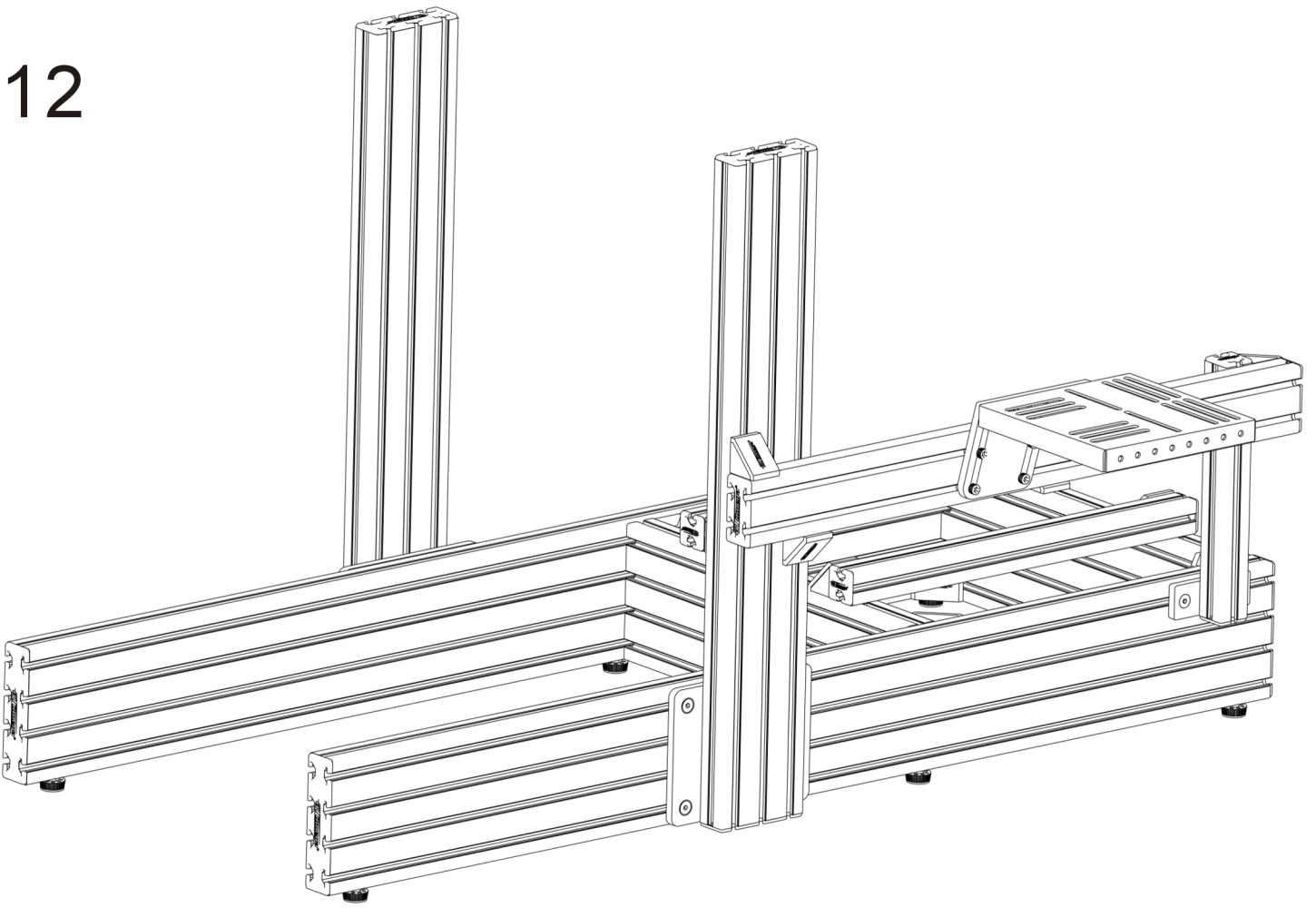
10

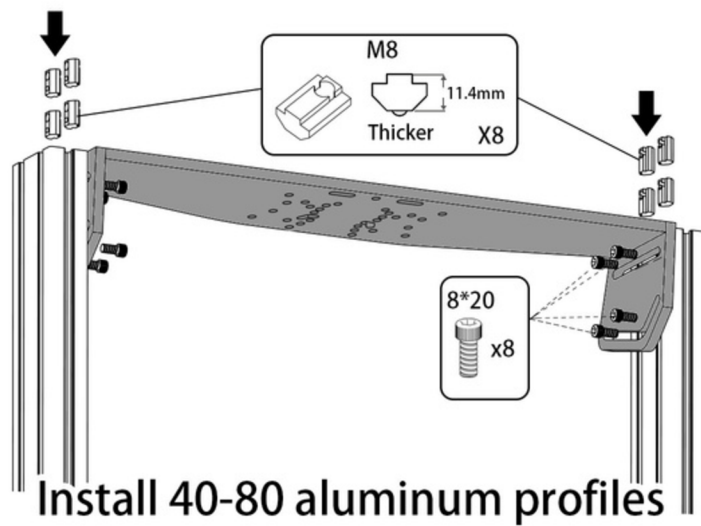
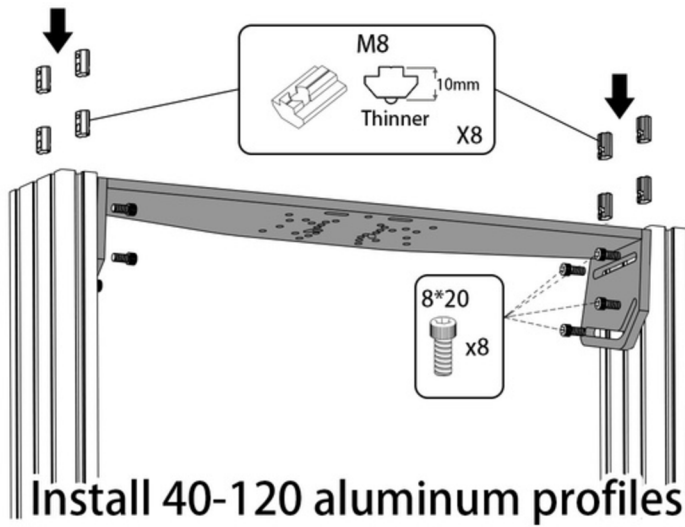
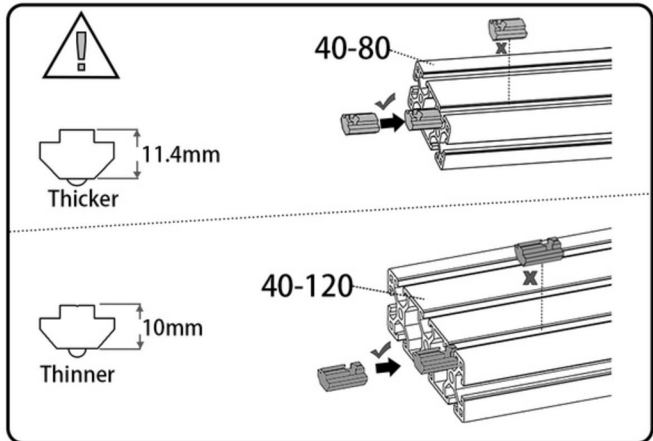
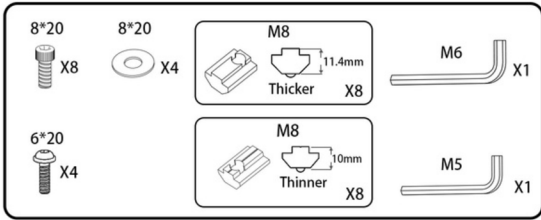
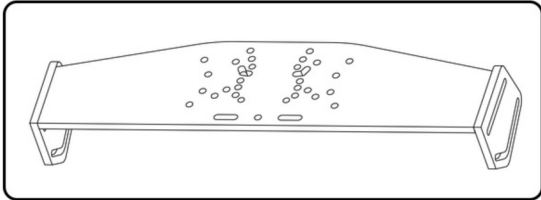


11



12





# Unlock the full potential of your PRIME COCKPIT



## PRIME Keyboard Tray

This practical attachment gives you the control you need without ever having to leave your seat. The PRIME keyboard tray can be mounted at any height on the left- or right-side of your cockpit.



## PRIME Caster Wheels

Highly mobile wheels with ultra-durable construction. These heavy-duty caster wheels come in a set of 6. Height adjustable rubber feet protect your floors and help you keep your cockpit balanced.



## Simulator Floor Mat

The Simulator Floor Mat is designed to provide a slip and vibration free surface for your cockpit. The perfect finishing touch for any racing set up.



## Simulator Monitor Stand

The Simulator Monitor Stand offers stable, eye-level screen placement with no vibrations. Upgradable to triple and quadruple screen setups. Strong, adjustable, and built to last.

## Bundle and Save!

Save **up to 17%** on your sim racing accessories when you build your own accessory bundles.

[View Sim Accessory Bundles](#)