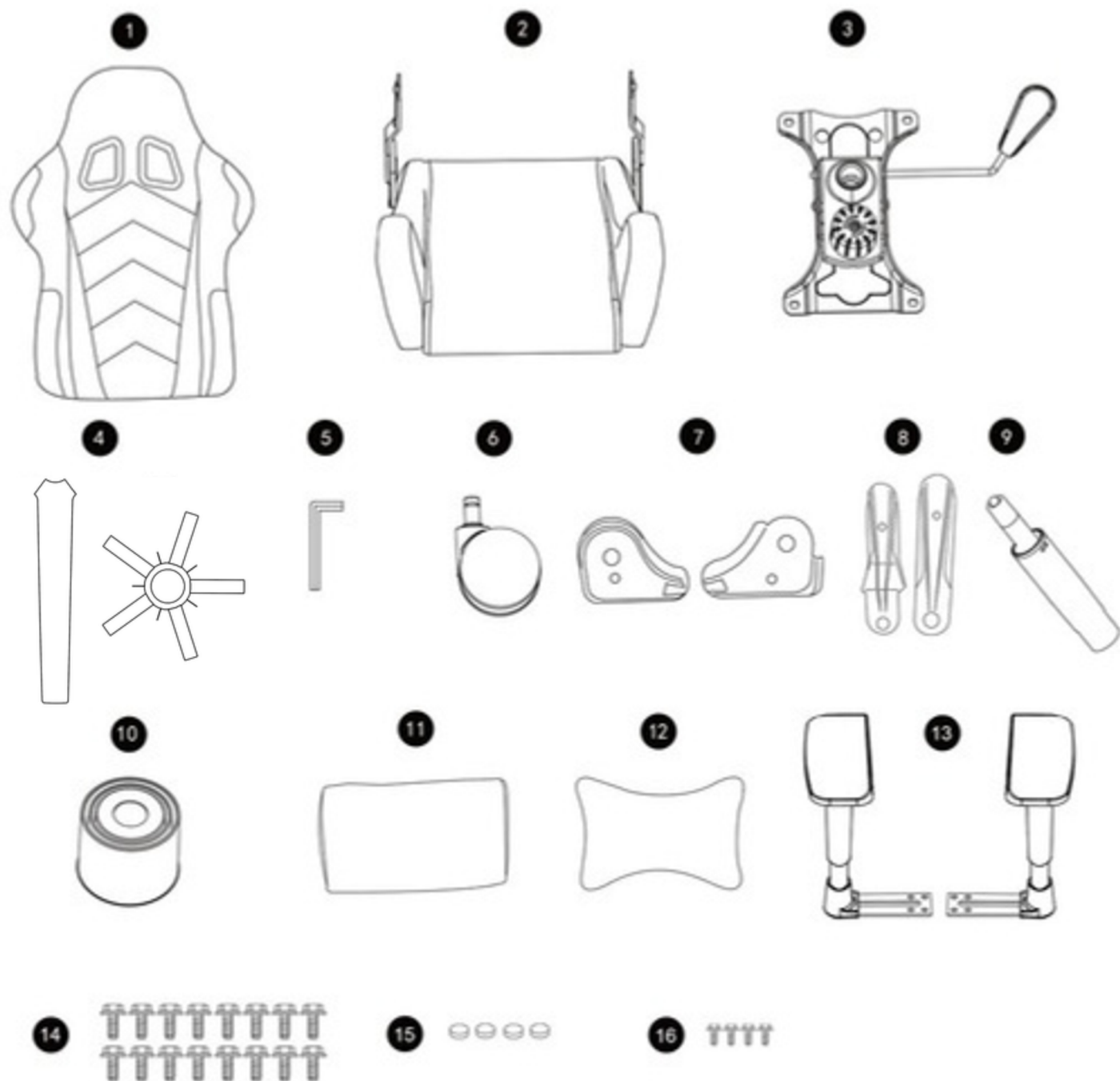




CHAIR ASSEMBLY GUIDE

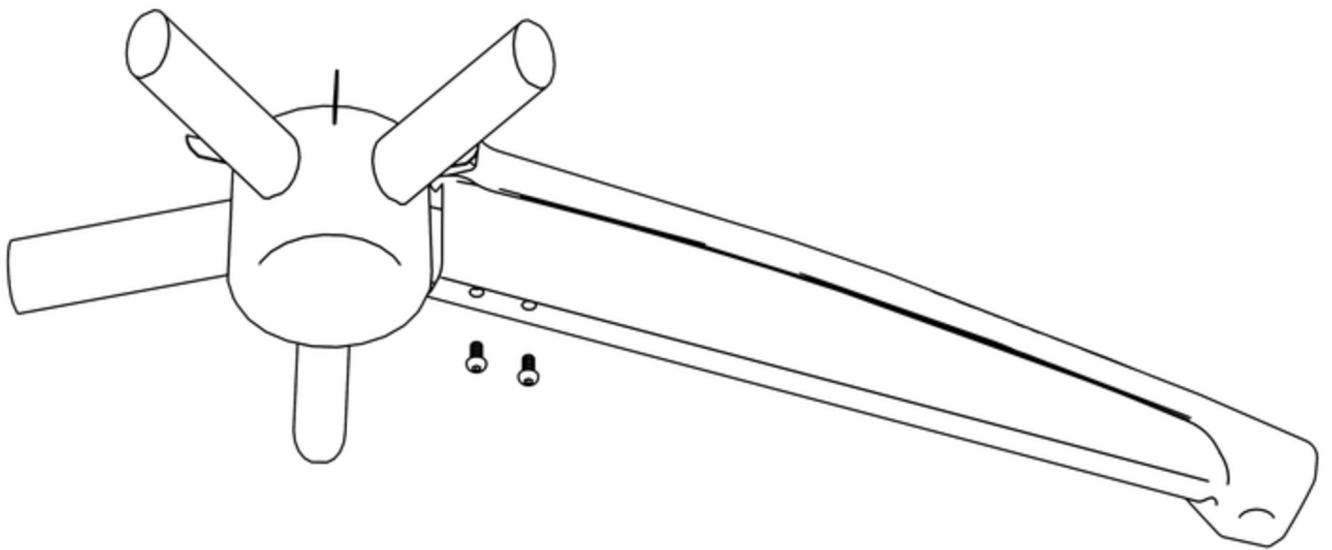
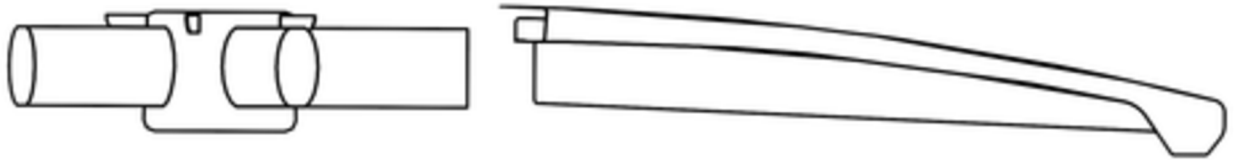
PACKAGE CONTENTS DIAGRAM



1. Backrest
2. Seat base
3. Small chair mechanism
4. Five-star base
5. Allen Keys
6. 5x Caster wheel
7. 2x Seat base cover
8. Side cover

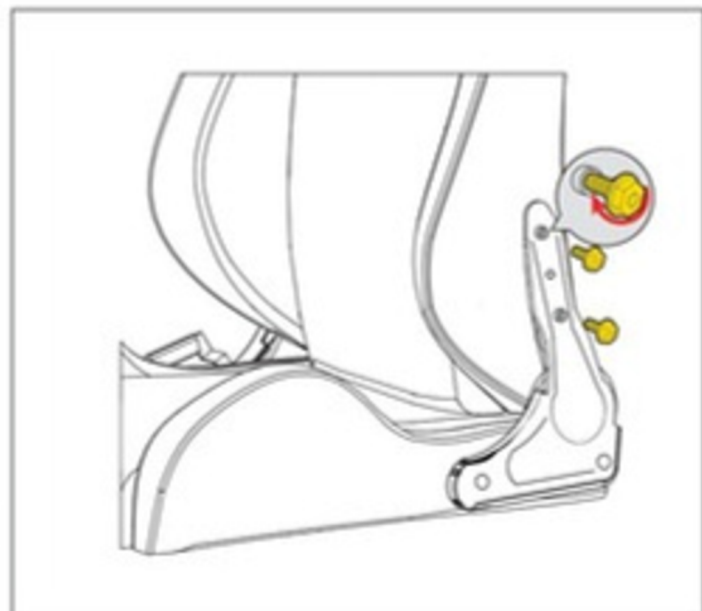
9. Gas piston
10. Piston cover
11. Lumbar cushion
12. Headrest cushion
13. 2x Armrests
14. 16x M8 bolts
15. Bolt covers x 4
16. Small screws x 4

Constructing your starbase



Connect star base legs to the centre section
then secure with bolts from the underside

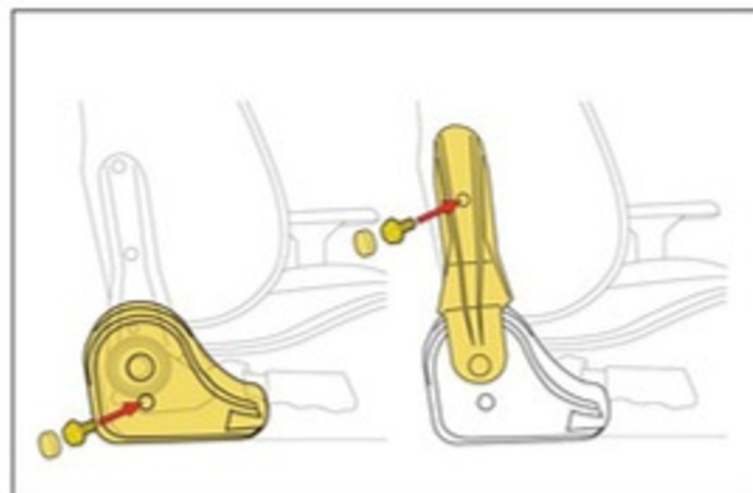
INSTALLATION GUIDE



- 1** **Connect seat back with seat base**
Align the backrest and the rear of the seat base carefully according to the picture.

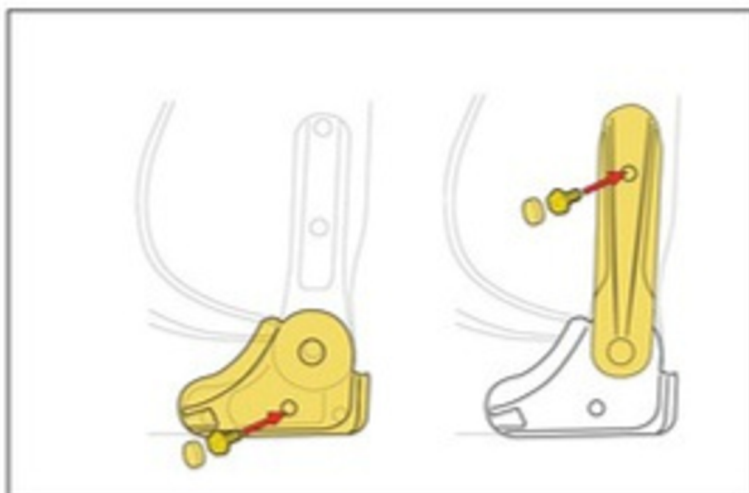
Secure back onto the seat via the loose support bracket before the tight one.

- 2** **Secure seat back with seat base**
Use the 8mm Allen key and the previously removed M8 bolts to attach the backrest to the seat base.



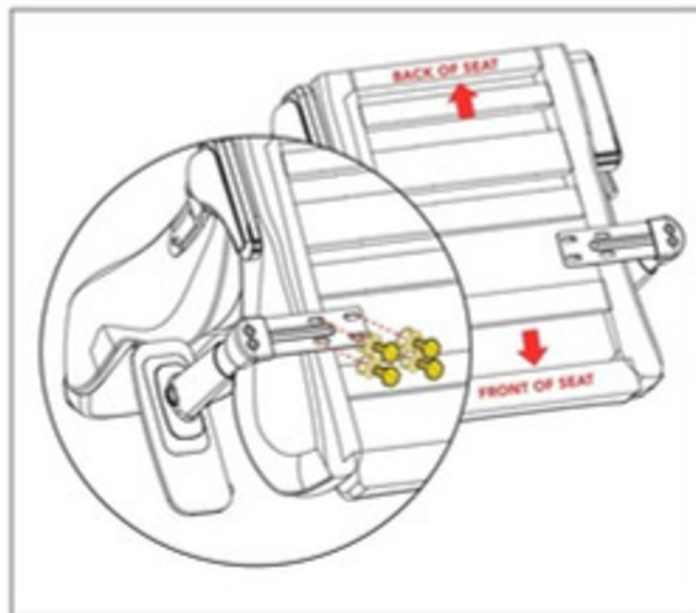
- 3** **Right side cover**
Fit caps using short screws using the screwdriver end of the allen key.

Use screw cover to fill hole after.



- 4** **Left side cover**
Fit caps using short screws using the screwdriver end of the allen key.

Use screw cover to fill hole after.



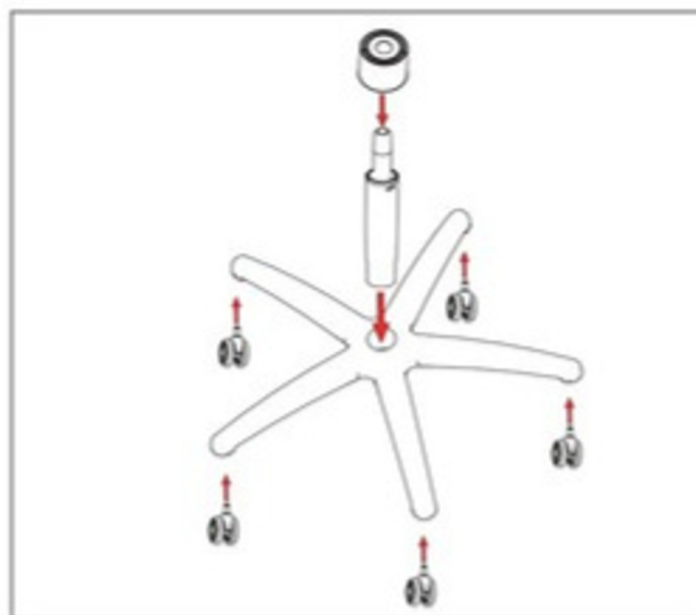
5 Armrest mounting

Attach the armrests, armrests are universal and can be put onto either side.

Secure the armrests with the M8 bolts, attach all four bolts loosely before tightening.

6 Chair mechanism mounting

Attach the mechanism using M8 bolts and allen key.



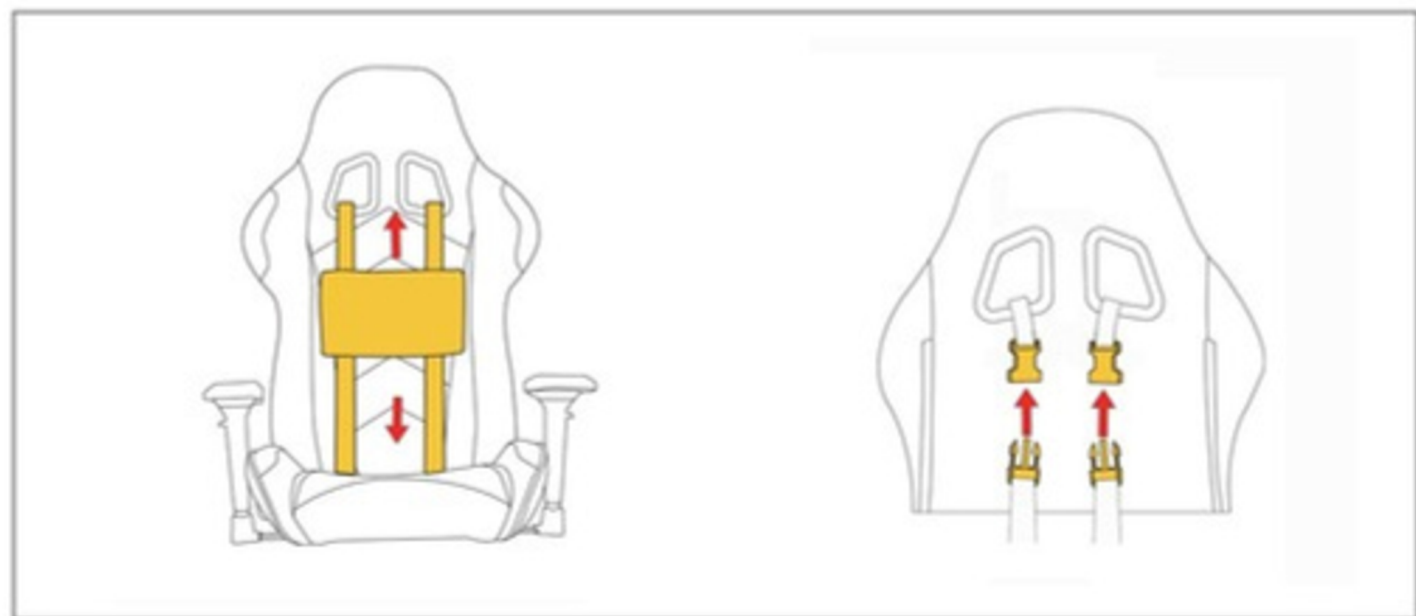
7 Caster wheel, Five-star base, Gas piston and Piston cover Installation

Insert the gas lift piston into the five-star base and then slide the piston cover over the gas lift.

push caster wheels straight down into the starbase. Then add piston.

8 Linking the parts

Align and connect the base and chair by inserting the gas piston into the opening on the chair mechanism according to the picture.

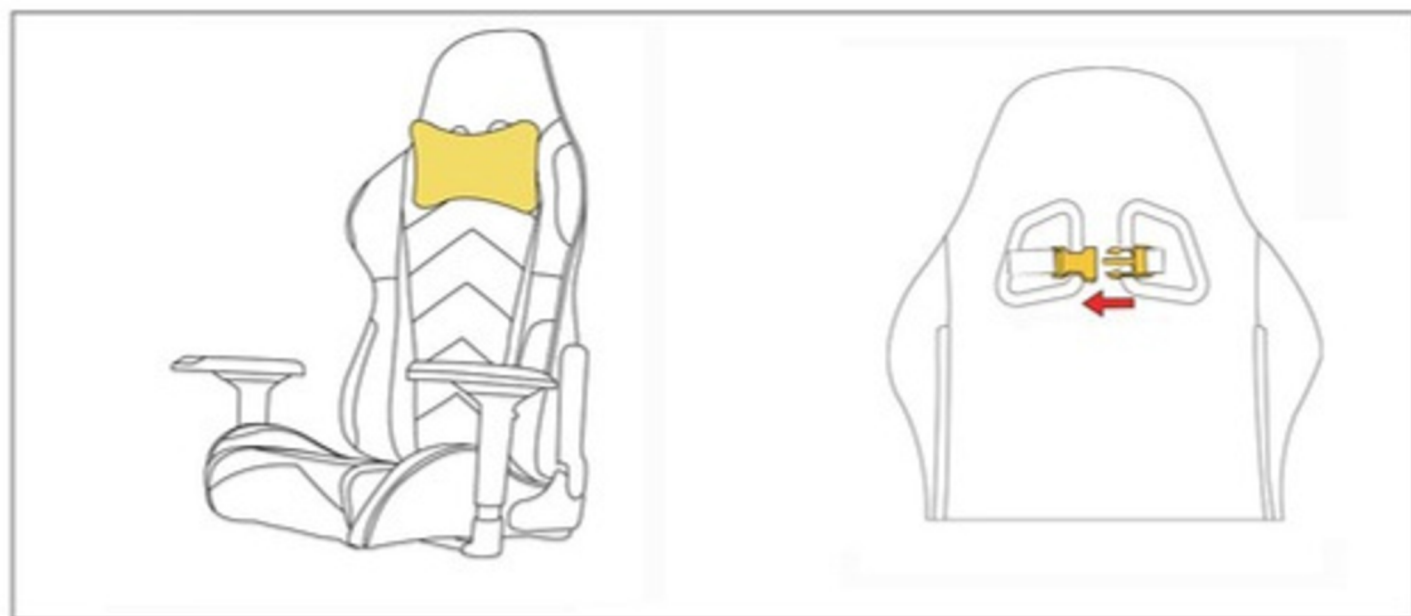


9

Detachable lumbar cushion

Pull the lumbar cushion straps through the backrest openings from front to back according to the picture. Connect both buckles from the bottom and top of the backrest to secure and adjust the lumbar cushion.

*Lumbar supports for Element Series chairs do not attach to the seat.



10

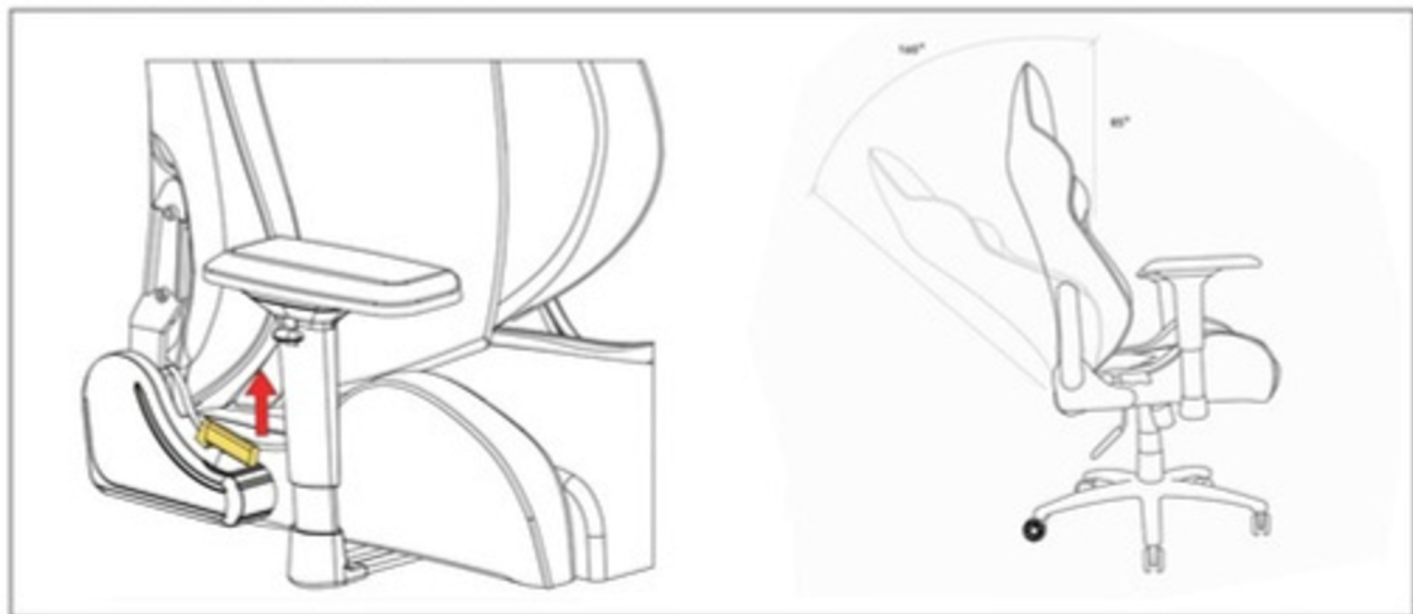
Detachable headrest cushion

Pull the headrest cushion straps through the backrest openings according to the picture. Connect the buckle to secure the headrest cushion.

For Element Series Chairs you can put the headrest strap over the top of the chair.



CHAIR ADJUSTMENT INSTRUCTIONS



1

Seat backrest adjustment

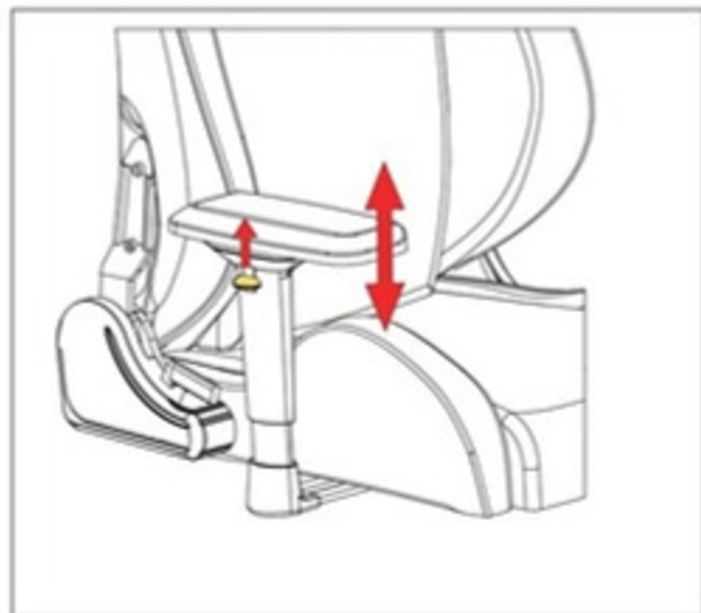
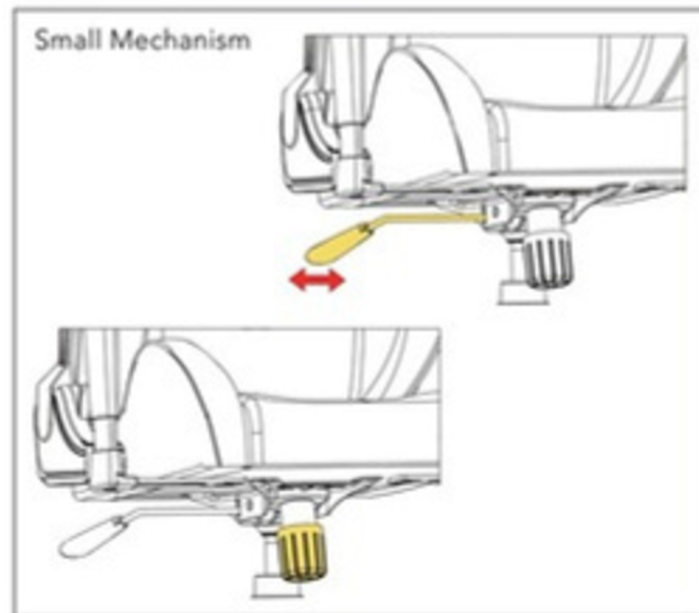
Pull the handle on the right side of the seat and lean backwards to tilt the backrest into the desired position. Lock the position by releasing the handle.



2

Seat height adjustment

Pull up the handle underneath the right side of seat base to adjust the seat height and then lock it by releasing the handle.



3

Rocking feature

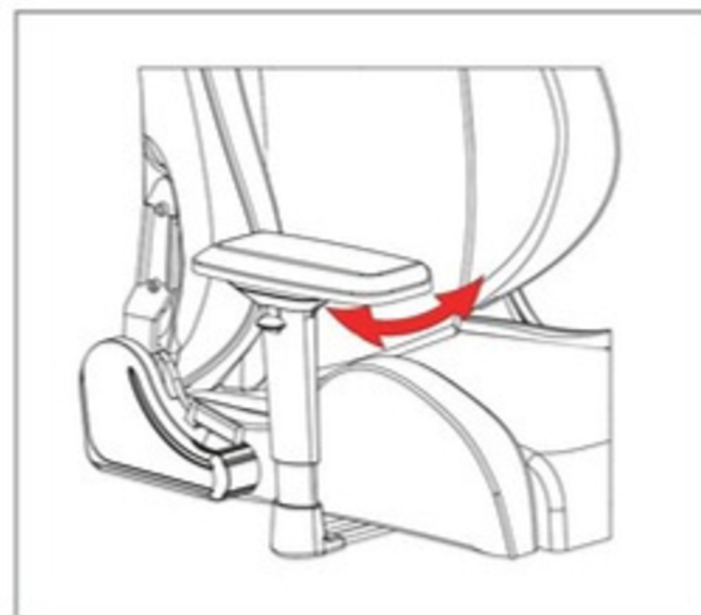
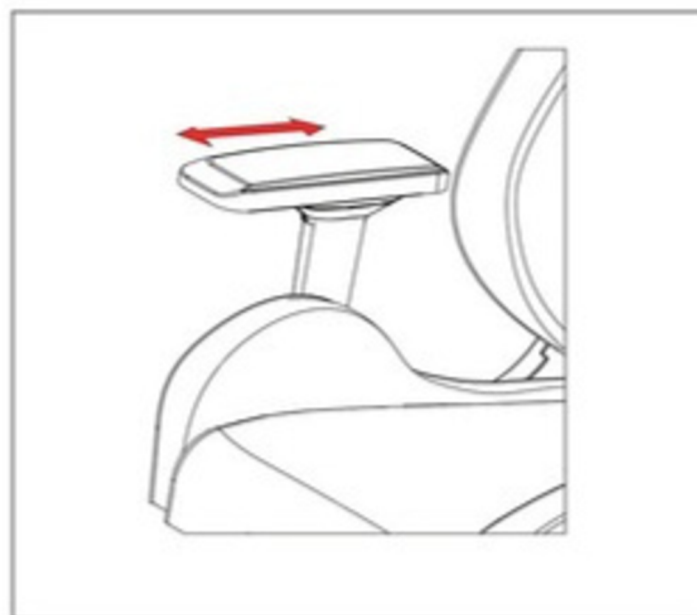
On the small mechanism, pull out the handle on the right side of the seat base to enable the rocking feature.

On the large mechanism, flip the paddle on the left side of the seat base up to enable the rocking feature. To lock your position, flip the paddle back down until the desired position is reached.

4

Vertical adjustment

Pull the handle up and down to the desired height. Release the handle to lock the height according to preference.



5

Front to back adjustment

Push the armrest back and forth with a small amount of pressure to adjust the armrest.

6

Rotating adjustment

The armrest can be rotated inwards and outwards without the use of a button.

SAFETY INFORMATION



The maximum user weight of the Pro Series is up to 100KG.

The chair should only be used as shown and in a non-abusive manner. GT Omega is not liable for any damages resulting from improper assembly or usage.

GT Omega Racing Ltd.
Unit C1 - GTOmega, 24 Craigmont Street,
G20 9BT Glasgow, United Kingdom

Looking to upgrade your comfort? Check out these best sellers!



Mouse Mat

Developed with ergonomics in mind, our Omeganomic desk mat is the leading choice for adding comfort to your new desk.



Floor Pad

The Omeganomic Floor Pad features embroidered anti-fray edges and a dual-purpose non-slip rubber backing which protects your floors and stops the mat from sliding.



CORE Single Motor Desk

Designed to elevate any workspace, the CORE Series Single Motor Desk combines convenience with a modern aesthetic.



To see these products and more, visit us at gtomega.co.uk