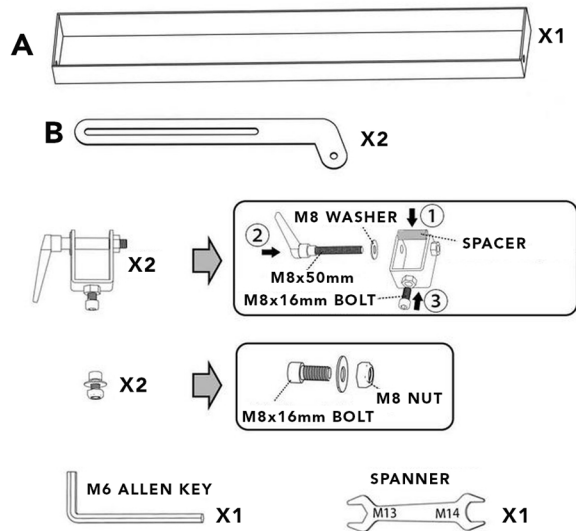
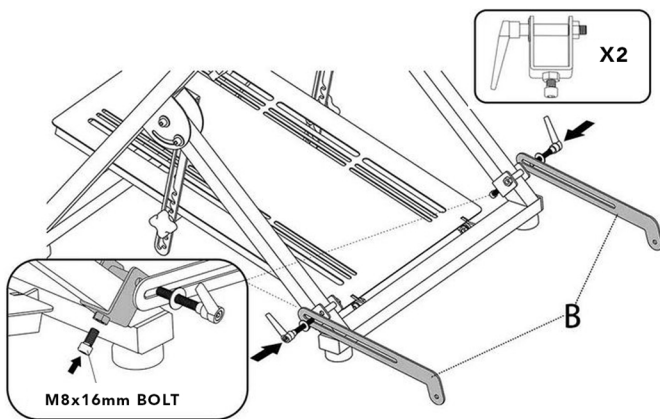


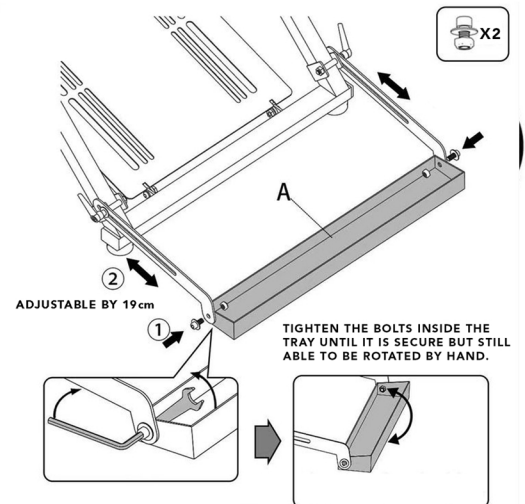
### What's in the box



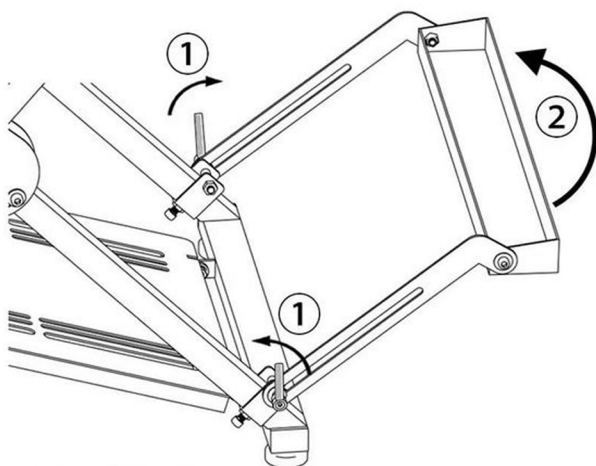
## ASSEMBLY



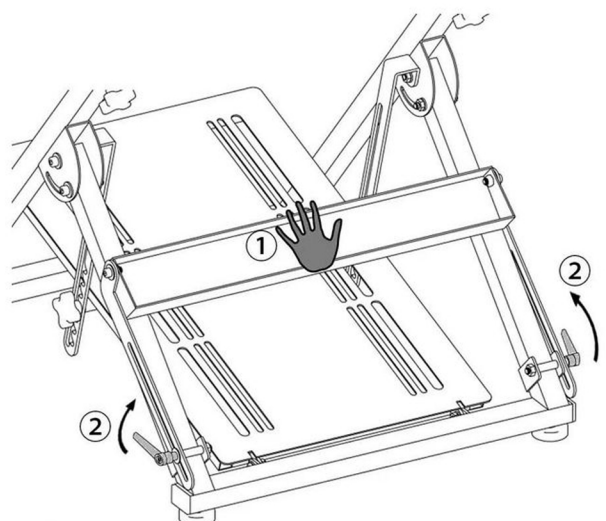
ALIGN THE CHAIR LINK ARMS AS SHOWN, THEN SECURE THEM TO THE FRONT SUPPORTS OF THE APEX WHEEL STAND



## FOLD FOR STORAGE



- 1 LOOSEN HANDLE BOLTS
- 2 FOLD WHEEL TRAY UPWARDS



- 1 HOLD WHEEL TRAY FIRMLY IN PLACE
- 2 TIGHTEN HANDLE BOLTS