



CERTIFIED SIM RACING

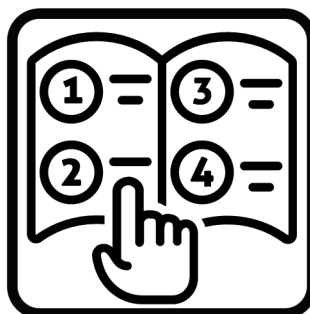


ART COCKPIT Assembly Guide

Recommended
1-2 People



Read Instructions
10 Minutes



Assembly Time
30 Minutes

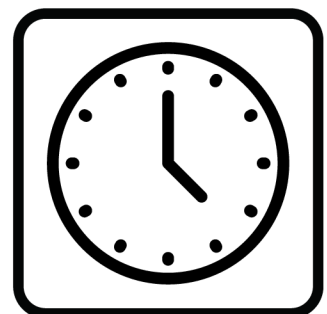


TABLE OF CONTENT

PAGE 1

NOTICES

PAGE 2

WHAT'S IN THE BOX

PAGE 3 - 8

ASSEMBLY INSTRUCTIONS

PAGE 9

ADJUSTABILITY GUIDE



Need Help? We're here for you! Contact our support team:



WARNING



Children should not use unsupervised



Do not exceed load capacity of **200KG**



Do not stand on the Cockpit



Take care when assembling



Do not Push or pull Cockpit across the floor

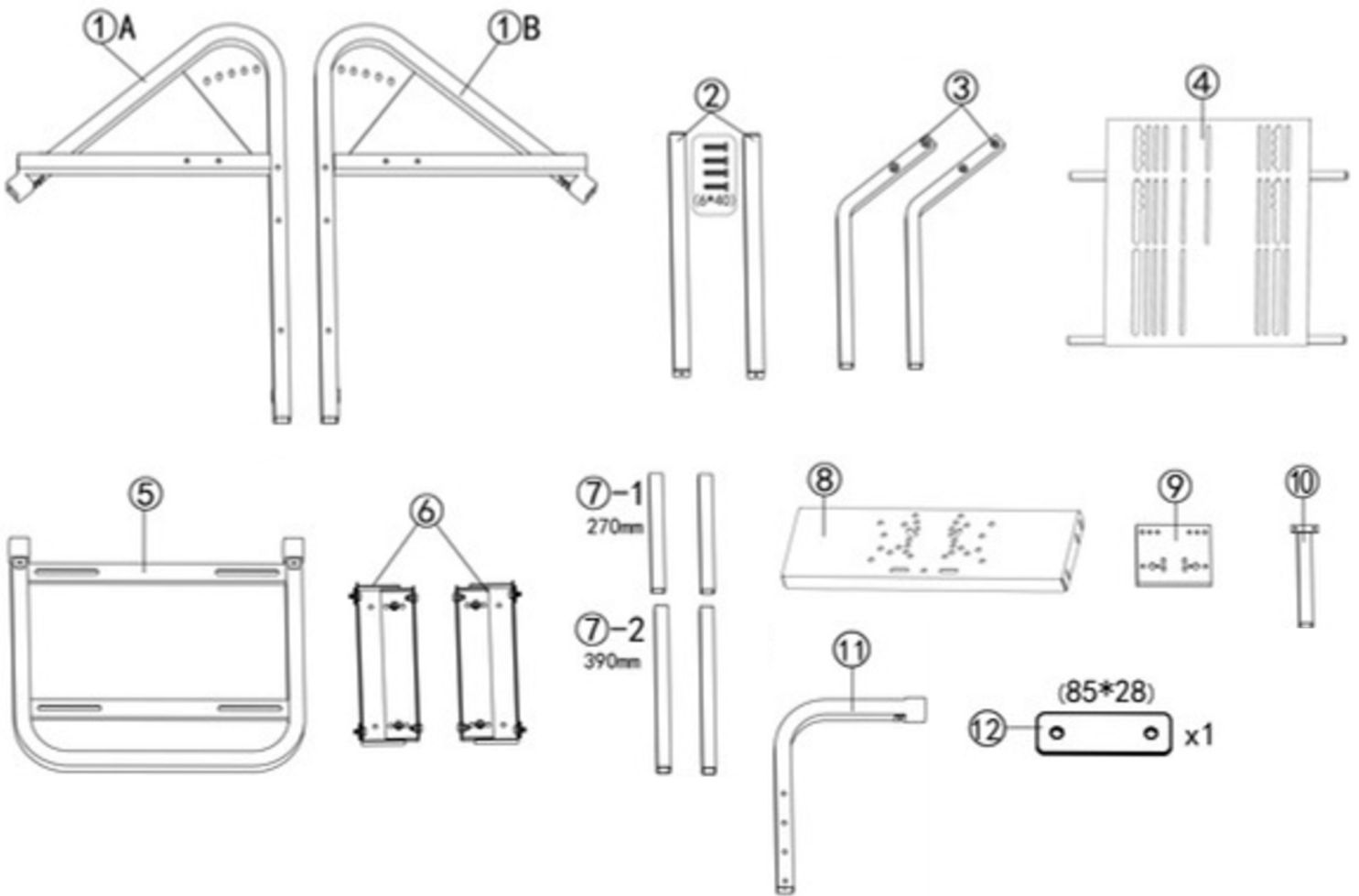
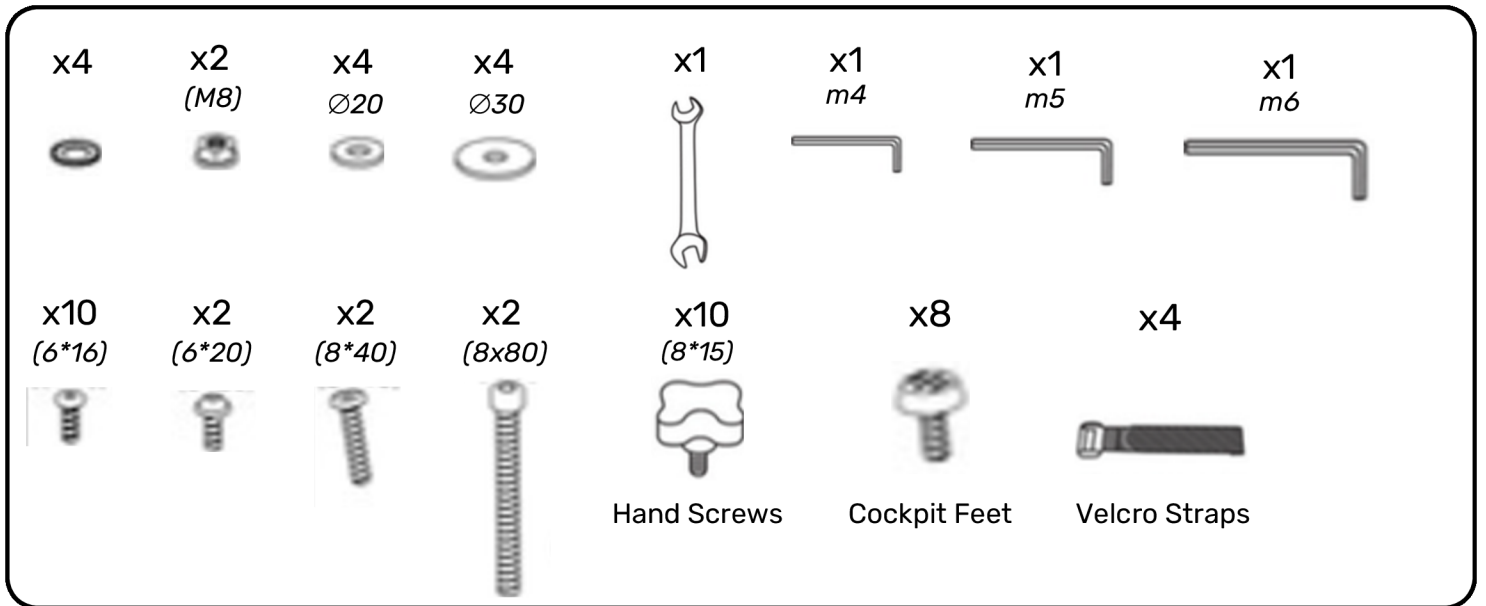


FAILURE TO COMPLY WITH OR OBSERVE ALL ASSEMBLY, SAFETY, AND OPERATION INSTRUCTIONS REGARDING THE USE OF THIS PRODUCT MAY RESULT IN **PROPERTY DAMAGE** OR **BODILY INJURY**.

- This document contains important safety regulations. Any non-conforming use may result in personal injury or mechanical damage.
- Please read this user manual carefully before use as it provides key information about safety, use, and assembly of the **ART Cockpit**.
- Ensure that you have received all parts according to the part checklist prior to installation. If any parts are missing or faulty, contact the GT Omega support team for replacements.
- **Do not** over tighten the screws during installation.
- This product contains small items that could be a choking hazard if swallowed. Keep these items away from children.
- This product is designed for indoor use only. Using the product outdoors could lead to product failure and personal injury.
- Alteration or modification of any factory components outlined in the checklist will automatically void your warranty.
- Place the **ART Cockpit** away from corrosive gas, water and dusty environments.

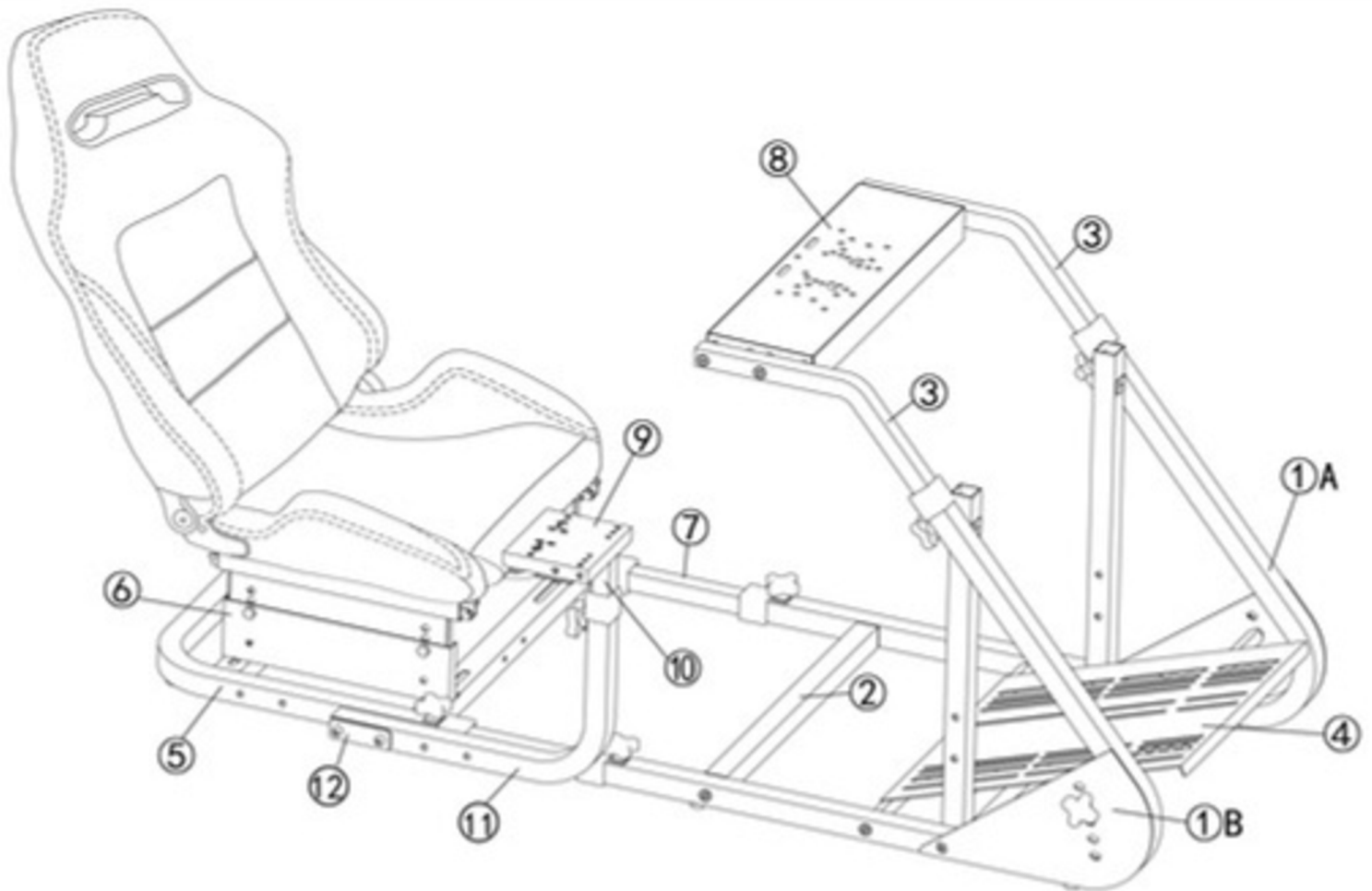
The **ART Cockpit** is designed for indoor use and dry work areas only. Under no circumstances does the manufacturer accept warranty claims or liability claims for damages caused from improper use or handling.

WHAT'S IN THE BOX



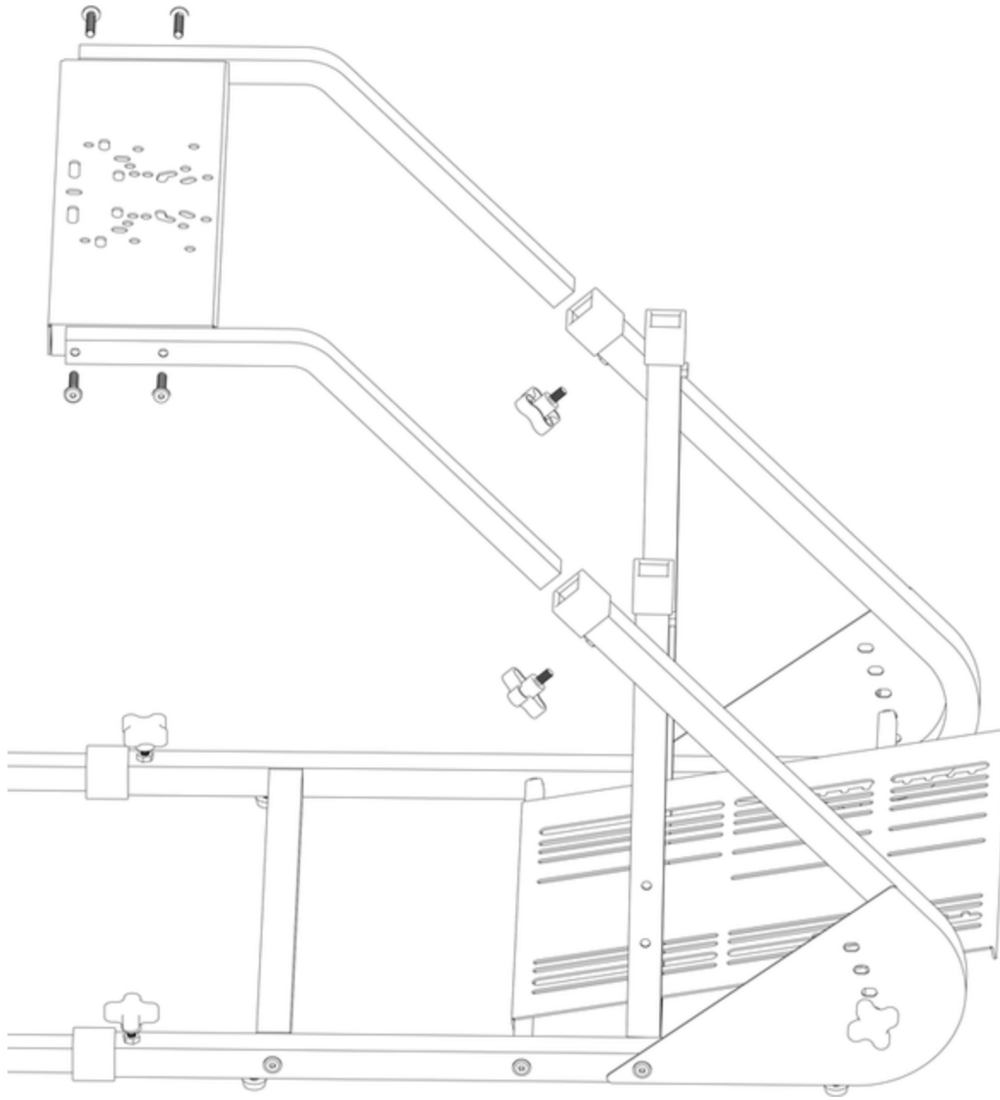
Before you begin: Please check that all parts are included. If any parts are missing, contact our Customer Support team before starting assembly.

ASSEMBLY INSTRUCTIONS



ASSEMBLY INSTRUCTIONS

1 Assemble Front Section



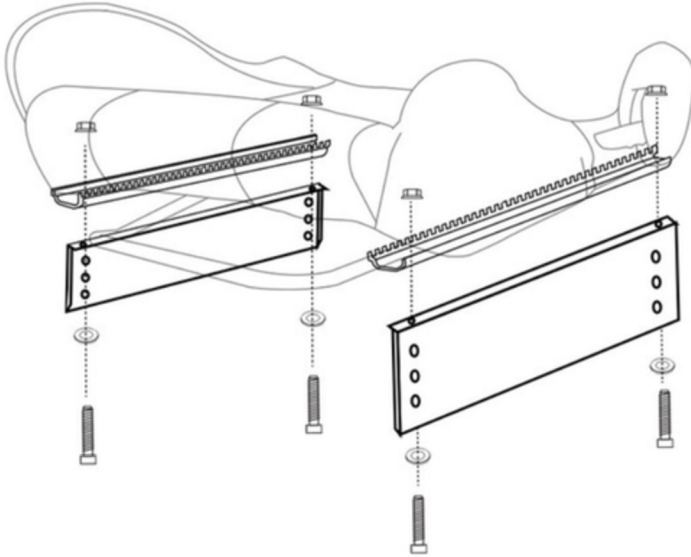
Begin by assembling the main frame of the ART cockpit as shown.

Attach the uprights and support arms to the base frame using the supplied bolts and hand knobs.

Add the cockpit feet to the front section of the stand.

ASSEMBLY INSTRUCTIONS

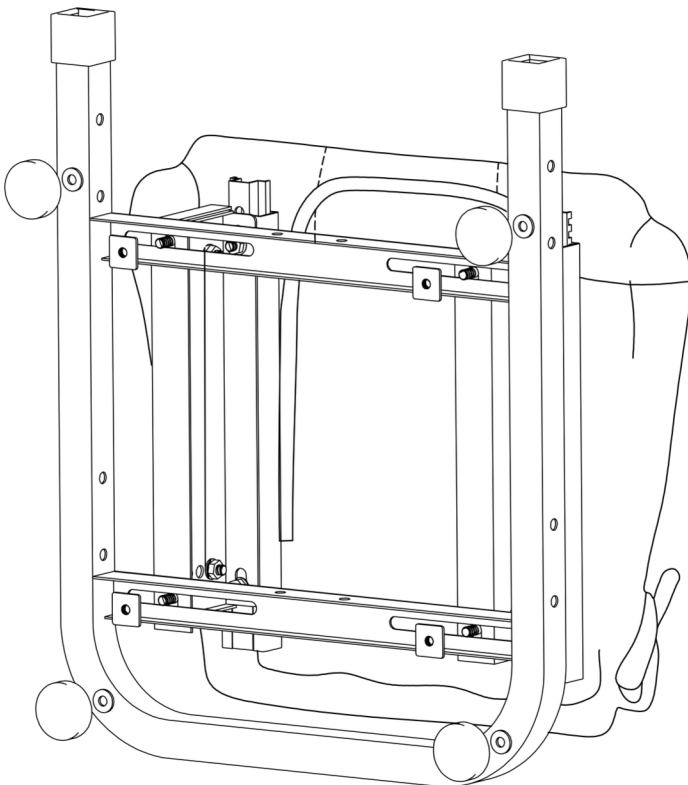
2 Mount Seat and Rear Frame



Attach the seat brackets to the seat base as shown, aligning the mounting holes on both sides.

Secure using the supplied bolts and washers, leaving them slightly loose for adjustment.

Sliding the sliders forward or backward during installation can make access easier.



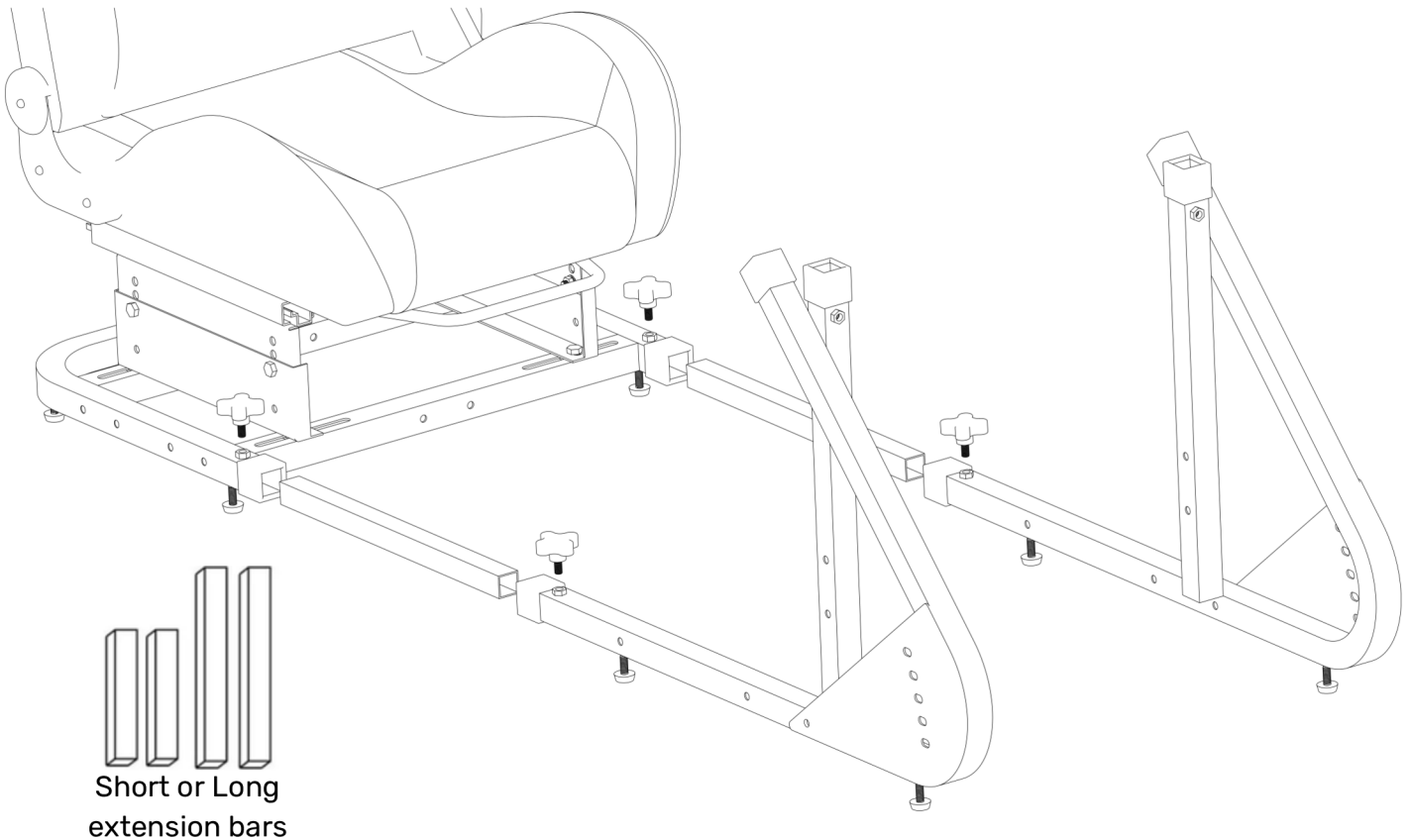
Position the assembled seat onto the rear frame and align with the mounting points.

Insert the bolts through the frame and brackets, then fully tighten all hardware once aligned.

Add the cockpit feet to the rear section of the stand.

ASSEMBLY INSTRUCTIONS

3 Connect front and rear sections



Slide the front section into the rear section, aligning the connecting rails on both sides.

Secure the sections together using the supplied hand knobs and bolts at each connection point.

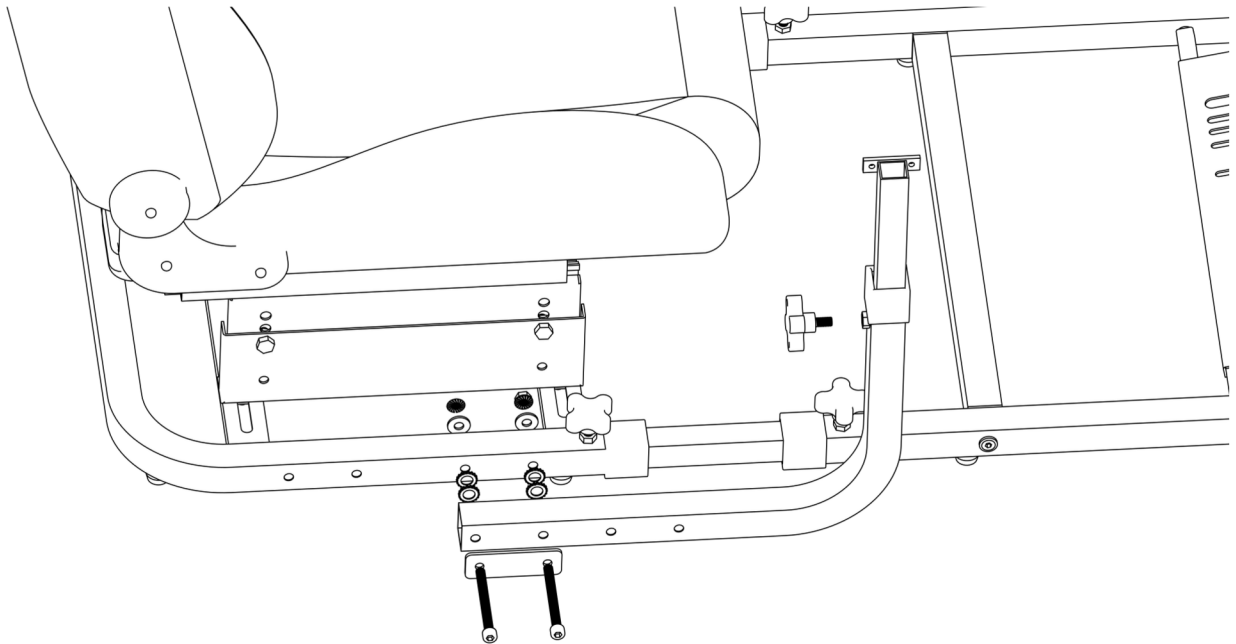
Adjust the length as required, then fully tighten all hand knobs to lock the frame in position.



Longer extension bars are better for users with longer legs. It's easy to swap out the sets to adjust for users of different sizes!

ASSEMBLY INSTRUCTIONS

4A Connect Gear Shifter Mount



Position the gear shifter mount onto the side rail of the frame as shown.

Align the mounting holes and secure using the supplied bolts and hand knobs. Leave slightly loose to allow adjustment.

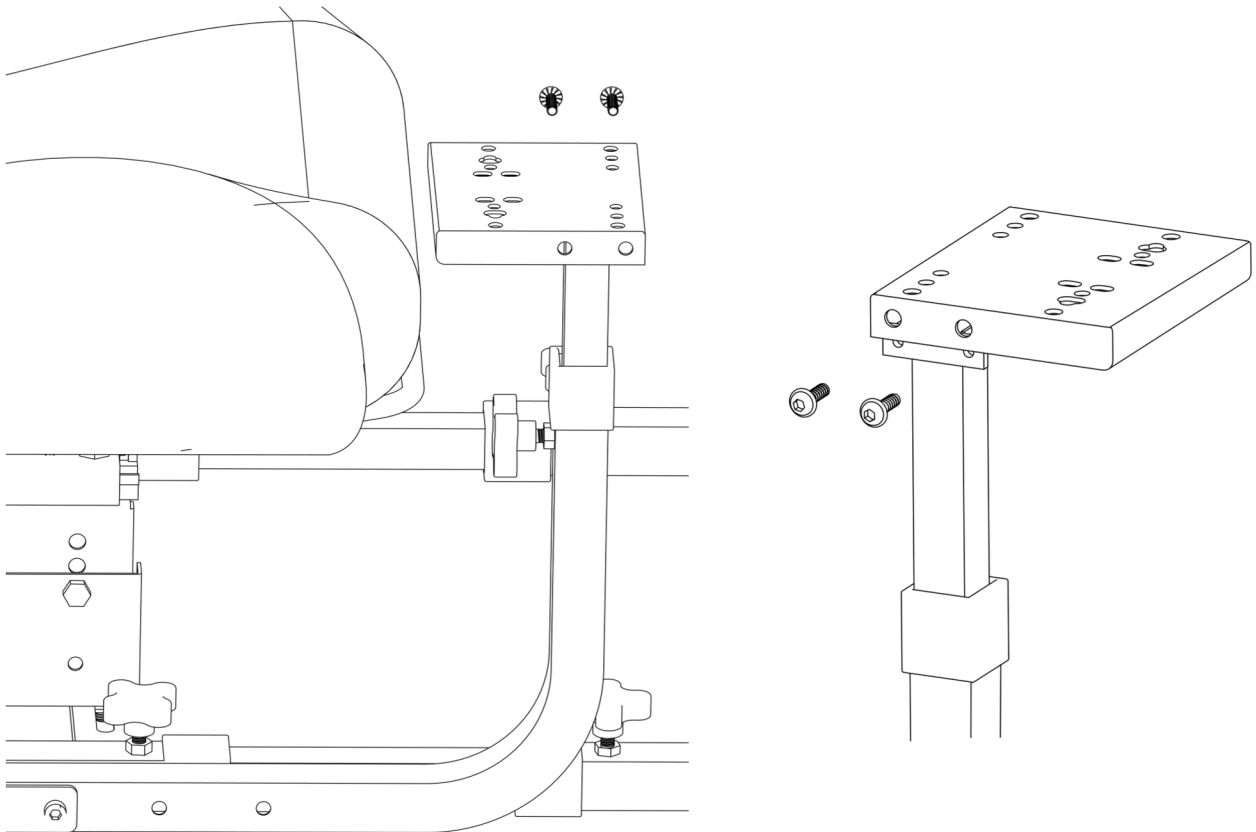
Adjust the height and position as required, then fully tighten all hardware to secure the mount in place.



The gear shifter mount can be installed on either the left or right side, and positioned further forward or back to suit your preference.

ASSEMBLY INSTRUCTIONS

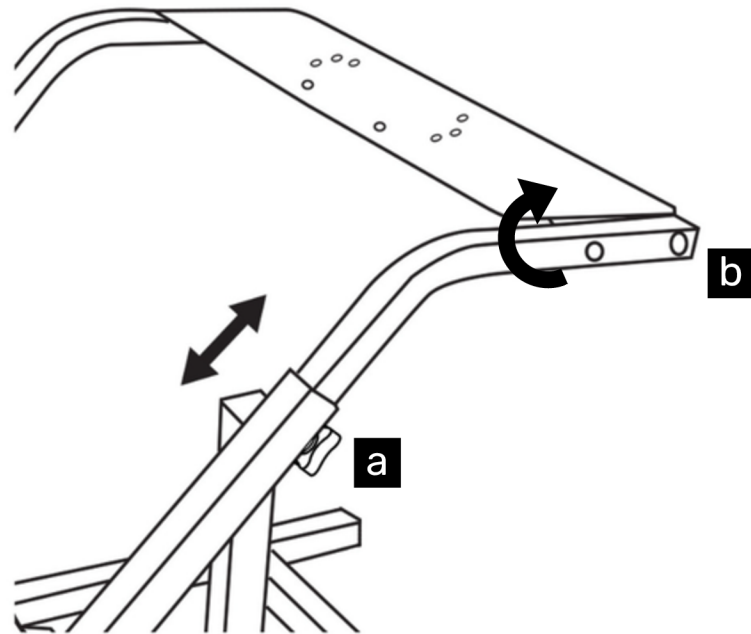
4A Connect Gear Shifter Mount



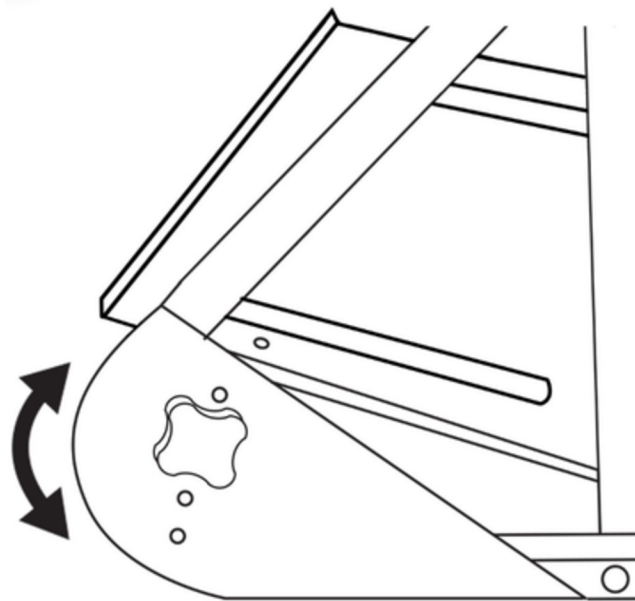
Attach the gear shifter mounting plate to the shifter arm as shown. Align the holes on the plate with the bracket and secure using the supplied bolts.

Ensure the plate is correctly oriented, then fully tighten all hardware.

ADJUSTMENT GUIDE



- a** Loosen hand screws on both sides to change wheel deck height.
- b** Loosen bolts on the wheel deck to adjust wheel deck angle.



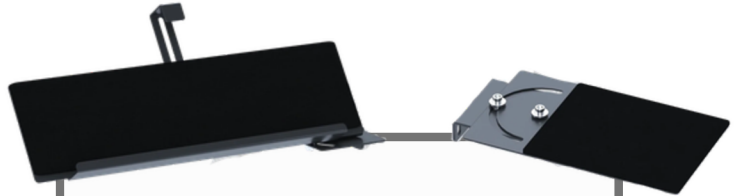
Loosen hand screws on both sides to adjust pedal plate angle.

Unlock the full potential of your ART COCKPIT



ART Support Bars

Redistribute weight and torque more evenly across your ART Cockpit, reducing flex and providing a more consistent and rewarding racing experience.



Keyboard and Mouse Tray

Stay in control without ever having to leave your seat. The non-slip rubber coating ensures that your keyboard and mouse will stay firmly planted while you play.



Simulator Floor Mat

The Simulator Floor Mat is designed to provide a slip and vibration free surface for your cockpit. The perfect finishing touch for any racing set up.



ART Single Monitor Mount

The monitor mount offers stable, eye-level screen placement. An essential upgrade for any ART Cockpit owner!

Bundle and Save!

Save **up to 17%** on your sim racing accessories when you build your own accessory bundles.

[View Sim Accessory Bundles](#)